

(Fold Inward) - - - - ▶

(Back Cover)

(Front Cover)

### Using the AUX Port

While the speaker system's AUX port is in use, the LED Indicator will **turn solid BLUE**, and Bluetooth connections will be disabled.

### Using the RCA Cable

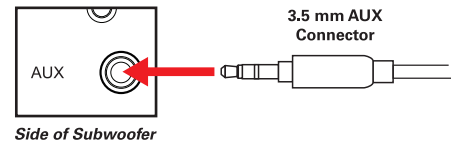
Plug the single 3.5 mm connector (smallest) of the supplied RCA cable into the 3.5 mm Auxiliary Input ("AUX") port on the side of the subwoofer.

Plug the multiple RCA connectors into the RCA ports on your TV or other audio device, matching the connectors' and ports' colors. If you are having trouble connecting, try consulting the manufacturer's instructions of the device to which you are connecting.

### Using the AUX Cable

Plug one end of the included 3.5 mm auxiliary cable into the 3.5 mm Auxiliary Input ("AUX") port on the side of the subwoofer.

Plug the other connector into the headphone jack or AUX output port on your media-playing device.



## Compliance Information

### FCC Information

This device complies with Part 15 of the FCC Rules.

**Caution:** Any changes or modifications not expressly approved could void the user's authority to operate the equipment.

**Note:** This equipment has been tested and found to comply with the limits for a Class B digital device, pursuant to part 15 of the FCC Rules. These limits are designed to provide reasonable protection against harmful interference in a residential installation. This equipment generates, uses and can radiate radio frequency energy and, if not installed and used in accordance with the instructions, may cause harmful interference to radio communications. However, there is no guarantee that interference will not occur in a particular installation. If this equipment does cause harmful interference to radio or television reception, which can be determined by turning the equipment off and on, the user is encouraged to try to correct the interference by one or more of the following measures:

- Reorient or relocate the receiving antenna.
- Increase the separation between the equipment and receiver.
- Connect the equipment into an outlet on a circuit different from that to which the receiver is connected.
- Consult the dealer or an experienced radio/TV technician for help.

This device complies with Part 15 of the FCC Rules. Operation is subject to the following two conditions: (1) This device may not cause harmful interference, and (2) this device must accept any interference received, including interference that may cause undesired operation.

### Radiation Exposure Information

The device has been evaluated to meet general RF exposure requirement. The device can be used in portable exposure condition without restriction.

### Rating Label

#### Definitions

— Direct current symbol.

Bluetooth This symbol signifies that this is a wireless device powered by Bluetooth® technology.

FCC This symbol represents FCC Declaration of Conformity and compliance.

## Warranty Information

### 90-day Limited Warranty

Territory: United States/Canada

### LIMITED WARRANTY TO ORIGINAL CONSUMER

This product (including any accessories included in the original packaging) as supplied and distributed new by an authorized retailer is warranted by Southern Telecom, Inc. to the original consumer purchaser against defects in materials and workmanship ("Warranty") as follows:

#### To obtain warranty service:

- Visit our website at [www.southern telecom.com](http://www.southern telecom.com)
- Click on **Product Support**
- Select the **Brand** of your device
- Select **Service Request** and fill out the form to begin your inquiry

Your product will be repaired or replaced, at our option, for the same or similar model of equal value if examination by the service center determines this product is defective. Products received damaged as a result of shipping will require you to file a claim with the carrier.

### Warranty service not provided

This warranty does not cover damage resulting from accident, misuse, abuse, improper installation or operation, lack of reasonable care, unauthorized modification including software modifications such as the installation of custom firmware. This warranty is voided in the event any unauthorized person opens, alters or repairs this product. All products being returned to the authorized service center for repair must be suitably packaged.

NO WARRANTIES, WHETHER EXPRESS OR IMPLIED, INCLUDING, BUT NOT LIMITED TO, ANY IMPLIED WARRANTIES OF MERCHANTABILITY OR FITNESS FOR A PARTICULAR PURPOSE, OTHER THAN THOSE EXPRESSLY DESCRIBED ABOVE SHALL APPLY. DISTRIBUTOR FURTHER DISCLAIMS ALL WARRANTIES AFTER THE EXPRESS WARRANTY PERIOD STATED ABOVE. NO OTHER EXPRESS WARRANTY OR GUARANTY GIVEN BY ANY PERSON, FIRM OR ENTITY WITH RESPECT TO THE PRODUCT SHALL BE BINDING ON DISTRIBUTOR. REPAIR, REPLACEMENT OR REFUND OF THE ORIGINAL PURCHASE PRICE - AT DISTRIBUTOR'S SOLE DISCRETION - ARE THE EXCLUSIVE REMEDIES OF THE CONSUMER. IN NO EVENT WILL DISTRIBUTOR OR ITS MANUFACTURERS BE LIABLE FOR ANY INCIDENTAL, DIRECT, INDIRECT, SPECIAL, PUNITIVE OR CONSEQUENTIAL DAMAGES (SUCH AS, BUT NOT LIMITED TO, DAMAGES FOR LOSS OF PROFITS, BUSINESS, SAVINGS, DATA OR RECORDS) CAUSED BY THE USE, MISUSE OR INABILITY TO USE THE PRODUCT, EXCEPT AS STATED HEREIN. NO OTHER WARRANTIES SHALL APPLY. NOTWITHSTANDING THE FOREGOING, CONSUMER'S RECOVERY AGAINST DISTRIBUTOR SHALL NOT EXCEED THE PURCHASE PRICE OF THE PRODUCT SOLD BY DISTRIBUTOR. THIS WARRANTY SHALL NOT EXTEND TO ANYONE OTHER THAN THE ORIGINAL CONSUMER WHO PURCHASED THE PRODUCT AND IS NOT TRANSFERABLE.

Some countries, states or provinces do not allow the exclusion or limitation of incidental or consequential damages or allow limitations on warranties, so limitation or exclusions may not apply to you. This warranty gives you specific legal rights, and you may have other rights that vary from state to state or province to province. Contact your authorized retailer to determine if another warranty applies.

PLR IP Holdings, LLC, its licensees and affiliates, fully support all electronic waste initiatives. As responsible stewards of the environment, and to avoid violating established laws, you should properly dispose of this product in compliance with all applicable regulations, directives or other governments in the area where you reside. Please check with local authorities or the retailer where you purchased this product to determine a location where you can appropriately dispose of the product.

Polaroid, Polaroid & Pixel, Polaroid Color Spectrum, and Polaroid Classic Border Logo are trademarks of PLR, IP Holdings, LLC, used under license.

PLR IP Holdings, LLC does not manufacture this product or provide any manufacturer's warranty or support.

[www.polaroid.com](http://www.polaroid.com) ©2020 All rights reserved

The Bluetooth® word mark and logos are registered trademarks owned by Bluetooth SIG, Inc. used under license.

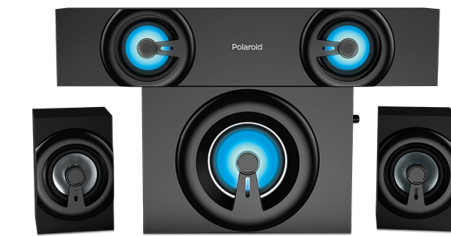
All product names, trademarks, and registered trademarks are property of their respective owners. All company, product, and service names used in this document are for identification purposes only. Use of these names, trademarks, and brands does not imply endorsement.



Designed in US  
Printed in China  
v1. 07-2020

# Polaroid

Instruction Manual  
**3.1 Multimedia Home Audio System**  
with LED Lights  
PBT3090



## Before You Begin...

### READ CAREFULLY AND KEEP THIS MANUAL

#### Customer Support

For any questions or problems with your product, please visit our website at [SouthernTelecom.com](http://SouthernTelecom.com) and click on **Product Support**.

#### Caution

To ensure safe and proper use, read all safety information before using the device. Only use with manufacturer-approved batteries, chargers, accessories, and supplies.

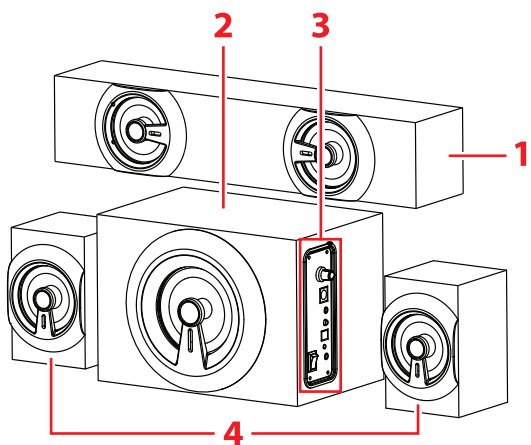
- **THIS DEVICE IS NOT A TOY.** keep away from children and pets.
- Do not disassemble, modify, or repair the device.
- Do not expose to extreme temperatures (heat or cold), open flames, humid, or wet conditions.
- **Do not submerge in water.**
- If using with a USB adapter, make sure the adapter is not damaged.
- Do not allow the USB port or the connectors of the supplied USB cable to be exposed to dust or water, or to come into contact with any conductive materials such as liquids, metallic powders, etc.

#### In the Box

- Subwoofer (x1)
- Satellite Speaker Set (x1)
- Soundbar (x1)
- Power Adapter (x1)
- RCA Cable (x1)
- 3.5 mm Auxiliary Cable (x1)
- User Manual (x1)

## Location of Controls

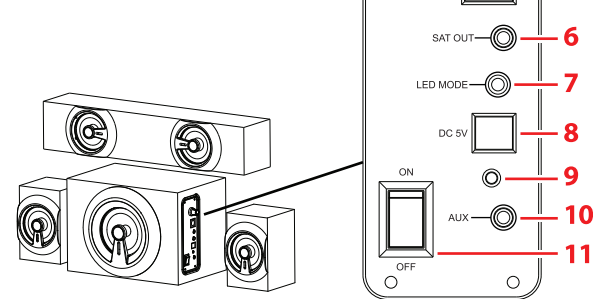
1. Soundbar
2. Subwoofer
3. Control Panel (**See next page**)
4. Satellite Speakers



## Location of Controls (cont'd)

### (Side of Subwoofer)

4. Volume Dial:  
*Turn:* Adjust volume
5. Soundbar Output
6. Satellite Speaker Output
7. [LED MODE] Button:  
*Press:* Cycle through LED light modes
8. Power Port
9. LED Indicator
10. 3.5 mm Auxiliary Input
11. [Power] Switch:  
*Flip:* Power speaker system ON/OFF



## Getting Started

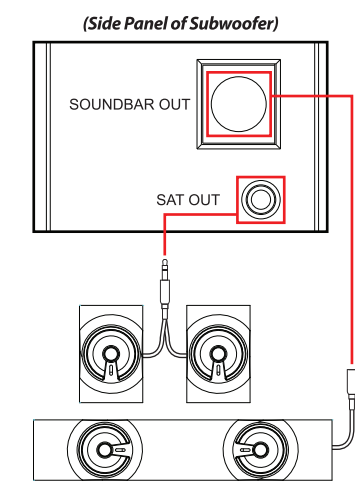
### Powering the Speaker System

Insert the pin of the supplied power adapter into the power port on the side of the subwoofer. Plug the other end into a wall socket.

### Setting Up

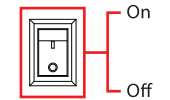
Plug the single 3.5 mm connector of the two satellite speakers into the Satellite Speaker Output port on the side panel of the subwoofer, as shown at right.

Plug the connector of the soundbar into the Soundbar Output port on the side panel of the subwoofer.



### Powering ON/OFF

- Flip the [Power] switch on the side panel of the subwoofer to power ON/OFF.



### Playing Audio

To listen to audio on your speaker system, you must be wirelessly paired to a Bluetooth-enabled device or connected to a device manually using a cable.

See the **Bluetooth Pairing** and **Using the AUX Port** sections of this manual for detailed instruction.

### Adjusting Volume, Playback & Lights

- In all input modes, all playback will be controlled with your connected device.
- Volume can be adjusted using the Volume Dial on the side of the subwoofer, or with your connected media-playing device.
- Press the [LED MODE] Button on the side of the subwoofer to cycle through the LED light modes.

### Bluetooth Pairing

1. Power the speaker ON. A tone will be heard and the LED indicator will **quickly flash BLUE**.
2. Set your mobile device to search for Bluetooth devices. When it appears, select **PBT3090** from the list of found devices.
3. After a successful pairing, a tone will be heard and the Bluetooth LED indicator will **slowly flash BLUE**.

See the last page of the manual for RCA and AUX cable instructions.