




Back Cover

Front Cover

Outside of  
Booklet Page



Designed in the USA | Printed in China | v1.04-2021

**All-In-One Home Theater  
Projector & Screen**  
Instruction Manual  
PBX4802KIT

Inside of  
Booklet Page

### TABLE OF CONTENTS

- Compliance Information.....1
  - Safety Instructions & Warnings.....2
  - Additional Warnings & Precautions.....2
- Before You Begin.....3
  - Questions & Customer Support.....3
  - What's Included.....3
  - Introduction.....3
- Location of Controls.....4
  - Projector.....4
  - Remote Control.....5
- Setting up the Projector.....6
  - Placement.....7
  - Adjustment.....8
  - Power.....9
  - Connecting Devices.....10
    - HDMI.....10
    - AV.....10
    - VGA.....10
    - Audio Output.....10
    - USB & TF Card.....10
  - Controlling Playback.....11
- Projector Menus.....12
- Warranty Information.....13

### WARRANTY INFORMATION

**1-Year Limited Warranty**  
Territory: United States/Canada

**LIMITED WARRANTY TO ORIGINAL CONSUMER**  
This product as supplied and distributed new by an authorized retailer is warranted by Southern Telecom, Inc. to the original consumer purchaser against defects in materials and workmanship ("Warranty") as follows:

**To obtain warranty service:**

- Visit our customer support portal: [www.customersupport123.com](http://www.customersupport123.com)
- Select the brand and model of your device
- Select "Service Request" and fill out the form to begin your inquiry
- Exchanges require dated proof of purchase from an authorized retailer

Your product will be repaired or replaced, at our option, for the same or similar model of equal value if examination by the service center determines this product is defective. Products received damaged as a result of shipping will require you to file a claim with the carrier.

**Warranty service not provided**  
This warranty does not cover damage resulting from accident, misuse, abuse, improper installation or operation, lack of reasonable care, unauthorized modification including software modifications such as the installation of custom firmware. This warranty is voided in the event any unauthorized person opens, alters or repairs this product. All products being returned to the authorized service center for repair must be suitably packaged.

NO WARRANTIES, WHETHER EXPRESS OR IMPLIED, INCLUDING, BUT NOT LIMITED TO, ANY IMPLIED WARRANTIES OF MERCHANTABILITY OR FITNESS FOR A PARTICULAR PURPOSE, OTHER THAN THOSE EXPRESSLY DESCRIBED ABOVE SHALL APPLY. DISTRIBUTOR FURTHER DISCLAIMS ALL WARRANTIES AFTER THE EXPRESS WARRANTY PERIOD STATED ABOVE. NO OTHER EXPRESS WARRANTY OR GUARANTY GIVEN BY ANY PERSON, FIRM OR ENTITY WITH RESPECT TO THE PRODUCT SHALL BE BINDING ON DISTRIBUTOR. REPAIR, REPLACEMENT, OR REFUND OF THE ORIGINAL PURCHASE PRICE - AT DISTRIBUTOR'S SOLE DISCRETION - ARE THE EXCLUSIVE REMEDIES OF THE CONSUMER. IN NO EVENT WILL DISTRIBUTOR OR ITS MANUFACTURERS BE LIABLE FOR ANY INCIDENTAL, DIRECT, INDIRECT, SPECIAL, PUNITIVE OR CONSEQUENTIAL DAMAGES (SUCH AS, BUT NOT LIMITED TO, DAMAGES FOR LOSS OF PROFITS, BUSINESS, SAVINGS, DATA OR RECORDS) CAUSED BY THE USE, MISUSE OR INABILITY TO USE THE PRODUCT. EXCEPT AS STATED HEREIN, NO OTHER WARRANTIES SHALL APPLY. NOTWITHSTANDING THE FOREGOING, CONSUMER'S RECOVERY AGAINST DISTRIBUTOR SHALL NOT EXCEED THE PURCHASE PRICE OF THE PRODUCT SOLD BY DISTRIBUTOR. THIS WARRANTY SHALL NOT EXTEND TO ANYONE OTHER THAN THE ORIGINAL CONSUMER WHO PURCHASED THE PRODUCT AND IS NOT TRANSFERABLE.

Some countries, states or provinces do not allow the exclusion or limitation of incidental or consequential damages or allow limitations on warranties, so limitation or exclusions may not apply to you. This warranty gives you specific legal rights, and you may have other rights that vary from state to state or province to province. Contact your authorized retailer to determine if another warranty applies.

## PROJECTOR MENUS

- Press the [ ] button on the projector or the [MENU] button on the remote control to open the projector menus.
- Navigate the menus using the navigation buttons on the projector or remote control, and confirm selections with the [OK] button.

### Picture Menu

#### Picture Mode

- User - Manually set the following settings:
  - Contrast
  - Brightness
  - Color
  - Sharpness
- Vivid / Standard / Soft pre-set options
  - Color Temperature - Warm / Cool / Medium
  - Aspect Ratio - Auto detect / 16:9 / 4:3
  - Noise Reduction - Low / Middle / High / Default / Off
  - Screen - (VGA Connections ONLY) Adjust screen
  - PC Setting
  - Reduced Display

### Sound Menu

#### Sound Mode

- User - Manual set the following settings:
  - Treble
  - Bass
- Standard / Music / Movie / Sports
  - Balance - Balance right and left channels
  - Auto Volume - Enable/disable auto volume

### Option Menu

- OSD Language - Change system language
- Restore Factory Default - Restore projector to factory default settings.
- Software Update (USB)

12

## COMPLIANCE INFORMATION

### FCC Information

This device complies with Part 15 of the FCC Rules.

Caution: Any changes or modifications not expressly approved could void the user's authority to operate the equipment.

Note: This equipment has been tested and found to comply with the limits for a Class B digital device, pursuant to part 15 of the FCC Rules. These limits are designed to provide reasonable protection against harmful interference in a residential installation. This equipment generates, uses and can radiate radio frequency energy and, if not installed and used in accordance with the instructions, may cause harmful interference to radio communications. However, there is no guarantee that interference will not occur in a particular installation. If this equipment does cause harmful interference to radio or television reception, which can be determined by turning the equipment off and on, the user is encouraged to try to correct the interference by one or more of the following measures:

- Reorient or relocate the receiving antenna.
- Increase the separation between the equipment and receiver.
- Connect the equipment into an outlet on a circuit different from that to which the receiver is connected.
- Consult the dealer or an experienced radio/TV technician for help.

This device complies with Part 15 of the FCC Rules. Operation is subject to the following two conditions: (1) This device may not cause harmful interference, and (2) this device must accept any interference received, including interference that may cause undesired operation.

### Radiation Exposure Information

This device has been evaluated to meet general RF exposure requirements. The device can be used in portable exposure conditions without restriction.

### Rating Label Definitions



1

## Safety Instructions & Warnings

- Read these instructions.
- Keep these instructions.
- Heed all warnings.
- Follow all instructions.
- Do not use this apparatus near water.
- Clean only with a dry cloth.
- Do not block any ventilation openings. Install in accordance with the manufacturer's instructions.
- Do not install near any heat sources such as radiators, heat registers, stoves, or other apparatus (including amplifier) that produce heat.
- Protect the power cord from being walked on or pinched particularly at plugs, convenience receptacles, and the point where they exit from the apparatus.
- Only use attachments/accessories specified by the manufacturer.
- Unplug this apparatus during lightning storms or when unused for long periods of time.
- Refer all servicing to qualified service personnel. Servicing is required when the apparatus has been damaged in any way, such as when the power-supply cord or plug is damaged, liquid has been spilled or objects have fallen into the apparatus, the apparatus has been exposed to rain or moisture, or when it does not operate normally, or has been dropped.
- Use only with a cart, stand, tripod, bracket, or table specified by the manufacturer or sold with the apparatus.
- When a cart is used, use caution when moving the cart/apparatus combination to avoid injury from tip-over.

## Additional Warnings & Precautions

- Do not look directly into the projector light.
- Don't touch the projector lens.
- Mains adapter is used to disconnect device, and it should remain readily operable during intended use. In order to disconnect the apparatus from the mains completely, the mains plug should be disconnected from the mains socket outlet completely.
- CAUTION: Use of controls or adjustments or performance of procedures other than those specified may result in hazardous radiation exposure.
- WARNING: Changes or modified to this unit not expressly approved by the party responsible for compliance could void the user's authority to operate the equipment.
- WARNING: Use of this unit near fluorescent lighting may cause interference regarding use of the remote. If the unit is displaying erratic behavior, move away from any fluorescent lighting, as this may be the cause.
- WARNING: Shock Hazard - Do Not Open.
- WARNING: To reduce the risk of fire or electric shock, do not expose this apparatus to rain, moisture, dripping, or splashing.
- Objects filled with liquids, such as vases, shall not be placed on the apparatus.

2

## Controlling Playback

To adjust playback for your connected HDMI, VGA, or AV device, use the controls on your device or the remote control for that device.

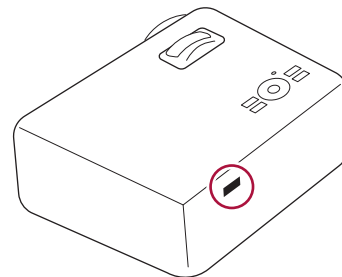
### Controlling Playback (USB & Micro SD/TF Card)

Use the following buttons on the remote control to adjust playback while playing media from a USB device or micro SD/TF card:

After entering the correct mode, press the ▲▶▶◀ navigation buttons to select "C" then press the [OK] button.

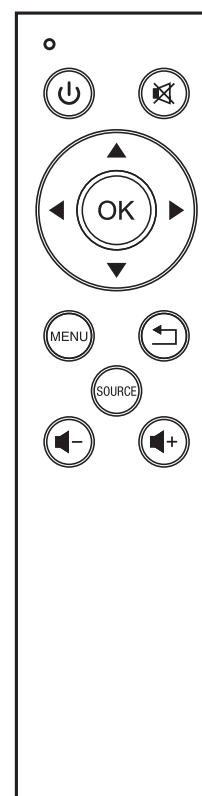
Next, use the ▲▶▶◀ navigation buttons again to select the correct file to preview, then hit the [OK] button to play.

**!** When using the projector remote control, make sure that you are aiming at the IR receiver either on the front or back of the projector



Back of Projector - IR Receiver

### Remote Control



11

### Connecting HDMI Devices

1. If the projector is ON, power it OFF.
2. Insert one of the connectors of an HDMI cable (not included) into one of the HDMI inputs on the side of the projector. Insert the other connector into the HDMI output of your video-playing device.
3. Power the projector back ON, then press the [Source] button on the projector or the [Source] button on the remote control and select the correct HDMI input using the navigation buttons on the projector or remote control.

### Connecting VGA Devices

1. If the projector is ON, power it OFF.
2. Insert one of the connectors of a VGA cable (not included) into the VGA input on the back of the projector. Insert the other connector into the VGA output of your video-playing device.
3. Power the projector back ON, then press the [Source] button on the projector or the [Source] button on the remote control and select the VGA input using the navigation buttons on the projector or remote control.

### Connecting AV Devices

1. If the projector is ON, power it OFF.
2. Insert the single 3.5mm connector of an AV cable (not included) into the AV input on the side of the projector. Insert the RCA connectors into the inputs on your video-playing device, matching the colors where applicable.

AV cables are typically color-coded as:

- Yellow: Video channel
- White: Left audio channel
- Red: Right audio channel

3. Power the projector back ON, then press the [Source] button on the projector or the [Source] button on the remote control and select the AV input using the navigation buttons on the projector or remote control.

### Connecting USB Devices

1. If the projector is ON, power it OFF.
2. Insert the connector of your USB device, such as a USB flash drive loaded with files, into the USB input on the side of the projector.
3. Power the projector back ON, then press the [Source] button on the projector or the [Source] button on the remote control and select "USB." From there, find the media you would like to play on the USB device.

### Using a TF (Micro SD) Card

1. If the projector is ON, power it OFF.
2. Insert a micro SD/TF card into the TF card slot on the side of the projector. If the card does not easily slide in, flip it over and try the other direction. When properly inserted, the card will click into place.
3. Power the projector back ON, then press the [Source] button on the projector or the [Source] button on the remote control and select "TF." From there, find the media you would like to play on the micro SD/TF card.

Power the projector OFF before removing a USB or micro SD/TF card.

10

## BEFORE YOU BEGIN...

READ THIS MANUAL CAREFULLY AND SAVE FOR FUTURE REFERENCE

To ensure safe and proper use, read all safety information before using the device. Only use with manufacturer-approved batteries, chargers, accessories, and supplies.

- THIS DEVICE IS NOT A TOY, do NOT allow children or pets to use or play with this device.
- Do not disassemble, modify, or repair the device.
- Do not expose the device to extreme temperatures (heat or cold), open flames, humid, or wet conditions.
- Do not submerge in water.
- ONLY use the supplied power adapter to power this item.
- Do not allow the power port or the connectors of the supplied power accessory to be exposed to dust, or water, or come into contact with any conductive materials such as liquids, metallic powders, etc.
- Do not place this device on or near a microwave or similar kitchen appliance.

### Questions & Customer Support

For any questions or issues concerning this product, please visit us at our website at [customersupport123.com](http://customersupport123.com).

### What's Included

- PBX4802KIT - Home Theater Projector (x1)
- Power Adapter (x1)
- Remote Control (x1)
- Projector Screen (x1)
- Instruction Manual (x1)

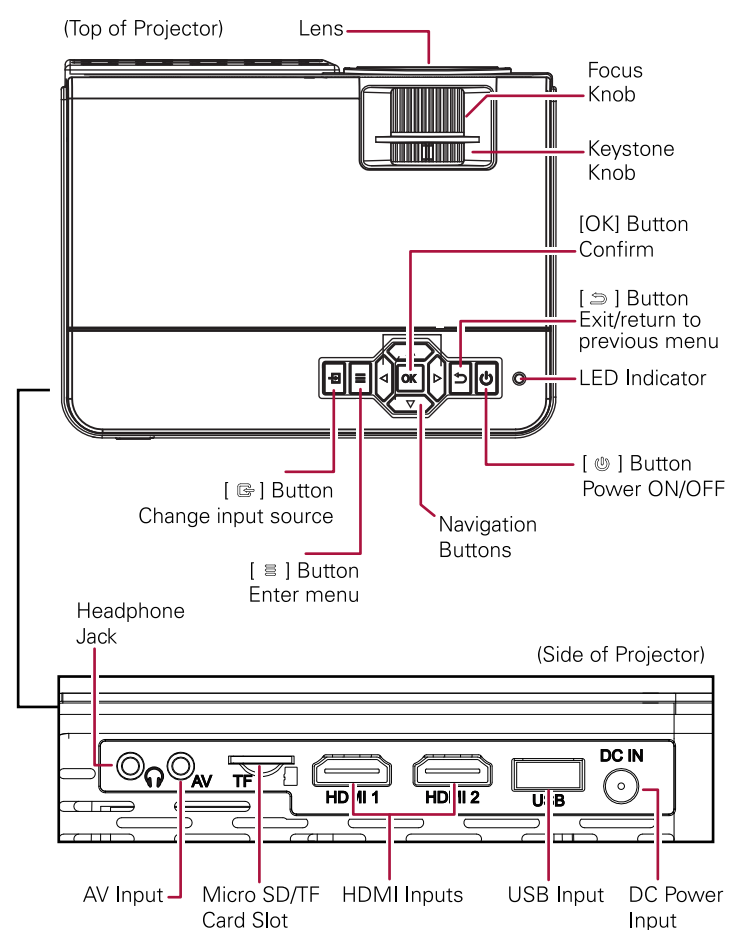
## INTRODUCTION

Thank you for purchasing the **Home Theater Projector & Screen** from Packard Bell!

The following instruction manual will take you through the entire setup of the projector, including how to mount or place it, how to connect it to various media sources, and more.

3

## LOCATION OF CONTROLS - PROJECTOR



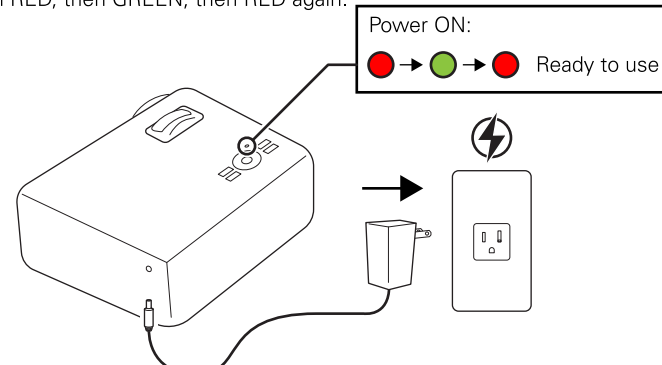
For more on connecting video-playing devices to the projector refer to the Connecting Devices section on page 10 of this manual

4

## POWERING THE PROJECTOR

Insert the pin of the supplied power adapter into the DC power input jack on the side of the projector. Plug the adapter into an electrical outlet.

When the adapter is plugged in, the LED indicator on the projector will briefly turn RED, then GREEN, then RED again.



### Powering ON/OFF

- Press the [Power] button on the projector or the remote control to power the projector ON.
- Press the [Power] button on the projector or the remote control to power the projector OFF. A message will be displayed, and you must press the [Power] button again while the message is displayed to power OFF.

When you are ready to use the projector, remove the lens cap from the lens

## CONNECTING DEVICES

The projector can be connected to a number of different video sources:

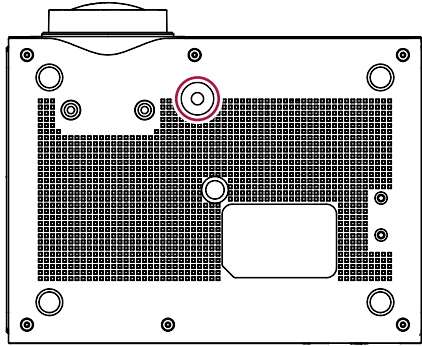
- HDMI - Blu-ray players, streaming & cable boxes, gaming systems, computers
- VGA - Older computers
- AV - DVD players, older video game systems
- USB - USB memory sticks, portable hard drives, supports up to 32 GB
- Micro SD /TF Card - Fits micro-sized SD and TF cards, up to 32 GB

9

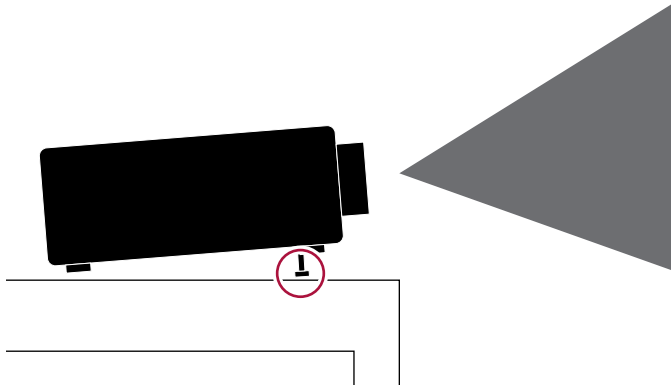
### Projector Adjustment

Once the projector is in place, it still may require finer tweaks for best picture.

- The focus knob can be used to adjust the focus/image quality. While adjusting focus, watch the pixels at the center of the image.
- If the projector is placed at an angle or is projecting at an angle, the keystone knob can be used to compensate for this. Keystone correction will alter the shape to a square or rectangle.
- To adjust the vertical angle that the projector is placed at, screw or unscrew the angle adjustment knob located on the underside of the projector:



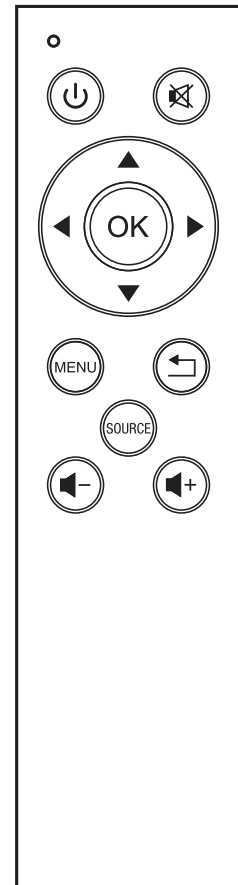
After adjusting the angle of the projector may need to re-assess and adjust the focus and keystone of the image.



8

### LOCATION OF CONTROLS - REMOTE CONTROL

- [POWER] Button: Power ON/OFF
- [MUTE] Button: Mute/unmute volume
- [NAVIGATE] Buttons: Navigate menu
- [OK] Button: Confirm selection
- [MENU] Button: Open projector menu
- [EXIT] Button: Exit or return to last menu
- [SOURCE] Button: Change media input mode
- [VOLUME] Buttons: Adjust volume



#### Battery Installation

The remote control requires two (2) AAA alkaline batteries to operate (not included).



- Follow the polarity diagram on the inside of the battery compartment.
- Do not mix old and new batteries or different brands or types of batteries (ie. alkaline and Ni-MH rechargeable batteries)

5

### SETTING UP THE PROJECTOR

The projector can be set up in a number of configurations. Correct placement, angle, and distance are of the utmost importance to get the most from the projector.

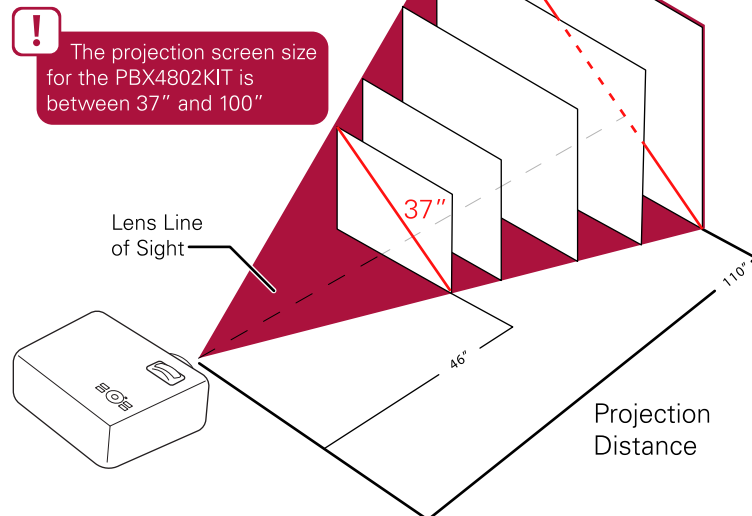
Before setting anything up, first determine if the area you are going to be using the projector is suitable:

- Is the location dark, or can it be made dark (you will also want one wall that receives NO direct light for the projector screen)?
- Does it have a flat surface for projection?
- Is there an area to place the projector or a ceiling mount to hang the projector?

If all the above criteria are met, then the location should be adequate.

#### Distance

Because the focus and size of the image can be adjusted using the focus knob, the distance the projector is placed will be important to pay attention to, but allows for some adjustment.



Use the focus knob to adjust image quality.

If the image is still blurry or out of focus, you may need to move the projector closer to or further away from the screen.

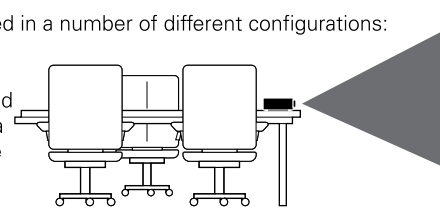
6

#### Projector Placement

The projector can be placed in a number of different configurations:

##### Front Table

The projector will be placed on a flat surface, such as a table, and project onto the screen in front of it.



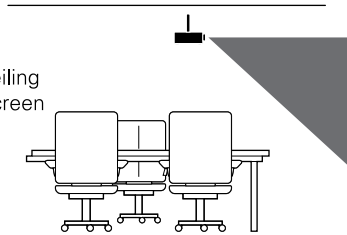
##### Rear Table

The projector will be placed on a flat surface, such as a table, and project onto the screen from behind. A special projector screen may be required for this configuration (not included).



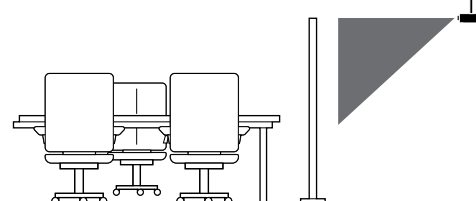
##### Front Ceiling

The projector will be suspended from a ceiling mount (not included) and project onto a screen in front of it. A ceiling mount is required for this configuration (not included).



##### Rear Ceiling

The projector will be suspended from a ceiling mount (not included) and project onto a screen from behind. A special projector screen and a ceiling mount may be required for this configuration (neither included).



Mounting the projector from the ceiling will require a projector mount and mounting equipment (not included). The mounting screw is located on the underside of the projector.

When the projector is upside down, the view must be flipped using the remote control.

7