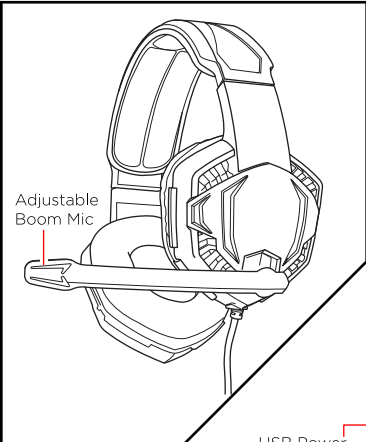


User Manual PBGH7

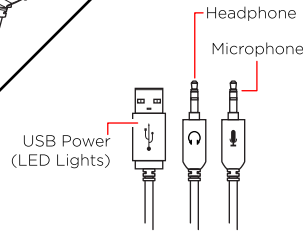
Getting Started



Adjustable Boom Mic

Volume Wheel

Turn Mic ON/OFF



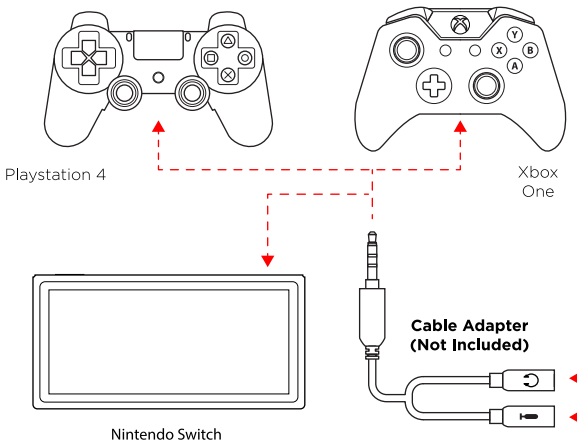
USB Power (LED Lights)

Headphone

Microphone

Connecting to Gaming Consoles

Note: Some Xbox One controllers may not have a 3.5 mm headphone jack and will require an additional adapter (*not included*).



Playstation 4

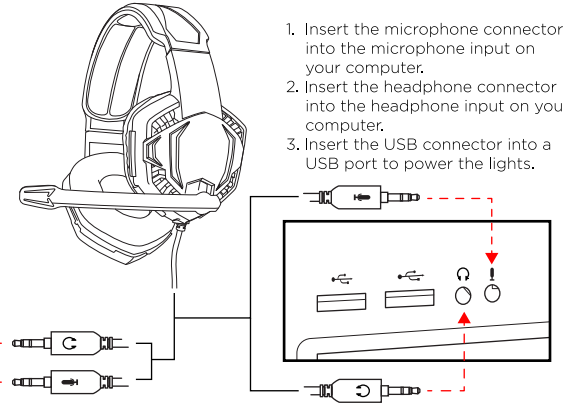
Xbox One

Nintendo Switch

Cable Adapter (Not Included)

PC & Laptop

1. Insert the microphone and headphone 3.5 mm connectors into a cable adapter (*not included*) such as shown on the previous page.
2. Plug the adapter's 3.5 mm pin into your gaming controller or audio jack (please consult your console's instructions for more information).
3. Insert the USB connector into a **5V USB** power source to use the headset lights.



1. Insert the microphone connector into the microphone input on your computer.
2. Insert the headphone connector into the headphone input on your computer.
3. Insert the USB connector into a USB port to power the lights.

FCC Information

This device complies with Part 15 of the FCC Rules.

Caution: Any changes or modifications not expressly approved could void the user's authority to operate the equipment.

Note: This equipment has been tested and found to comply with the limits for a Class B digital device, pursuant to part 15 of the FCC Rules. These limits are designed to provide reasonable protection against harmful interference in a residential installation. This equipment generates, uses and can radiate radio frequency energy and, if not installed and used in accordance with the instructions, may cause harmful interference to radio communications. However, there is no guarantee that interference will not occur in a particular installation. If this equipment does cause harmful interference to radio or television reception, which can be determined by turning the equipment off and on, the user is encouraged to try to correct the interference by one or more of the following measures:

- Reorient or relocate the receiving antenna.
- Increase the separation between the equipment and receiver.
- Connect the equipment into an outlet on a circuit different from that to which the receiver is connected.
- Consult the dealer or an experienced radio/TV technician for help.

This device complies with Part 15 of the FCC Rules. Operation is subject to the following two conditions: (1) This device may not cause harmful interference, and (2) this device must accept any interference received, including interference that may cause undesired operation.

Customer Support

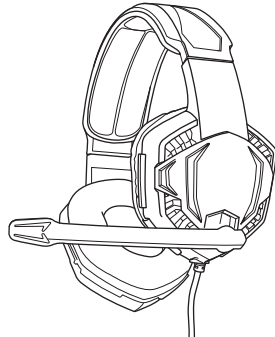

For any questions or problems with your product, please visit us at customersupport123.com.

"PlayStation," "PlayStation®4," and "PS4" are registered trademarks of Sony Interactive Entertainment Inc. Xbox One is either registered trademark or trademark of the Microsoft group of companies.

All other trademarks and trade names are those of their respective owners.

In the Box

PBGH7 FALCON 5 Headset

User Manual



Printed in China
v2. 12-2020

packard bell

PBGH7
FALCON 5 Elite Gaming Headset
Instruction Manual

