



Cool Mist Ultrasonic Aroma Diffuser



User Manual
MSSP22-1070SG

Before You Begin...

Caution

To ensure safe and proper use, read all safety information before using the device. Only use with manufacturer-approved batteries, chargers, accessories, and supplies.

• **NOT INTENDED FOR MEDICAL USE**

- This device is not intended to be a substitute for medical attention.
- The amount and intensity of aroma produced will vary. Factors that affect production of aroma can include water type, humidity, temperature, air current, and/or type or brand of essential oil used.
- It may take up to a half hour before you can smell the essential oil.
- Aroma Operation Time is up to 6 hours (continuous), and up to 12 hours (intermittent).
- Water Tank Capacity: 100 mL
- The suggested room size for this device is ~150 ft² (this may vary greatly by environment, type of essential oil used, etc.).
- Only 100% natural essential oil should be used with this product. Oil containing chemical fragrance, spice, or other impurities may cause malfunctions.
- **ONLY** use the supplied power cable. If using a USB adapter, it **MUST** be a 5V/1A USB adapter (not included).
- When not in use, the diffuser should be stored in a dry, cool location, away from sources of water or heat.
- It is recommended that the diffuser be covered to protect it from exposure to dust if it will not be in use for a long period of time.

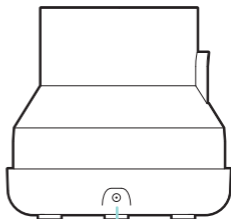
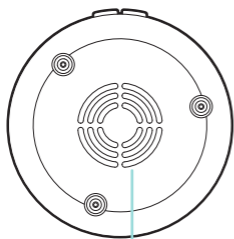
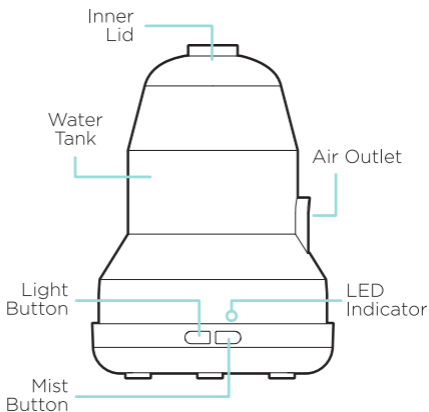
Questions & Support

If you have any questions or problems concerning this product, please visit our customer support portal: www.customersupport123.com and select “**Support**”. Select the brand, fill out the corresponding form, then submit your request.

In the Box

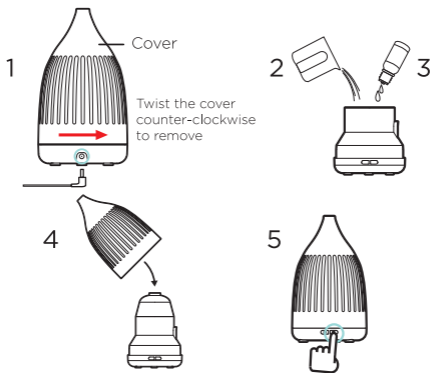
- Aroma Diffuser (x1)
- USB Power Cable (x1)
- User Manual (x1)

Location of Controls



Setup

1. Twist the cover counter-clockwise to remove it from the base, then remove the inner lid and insert the pin of the supplied USB power cable into the power jack. Plug the other end into a USB port on a computer or USB adapter (not included) that plugs into a wall socket.
2. Fill the tank with room temperature water up to the MAX level line.
3. Add 2 - 3 drops (0.1 - 0.15 mL) of essential oil (not included).
4. Place the lid and cover back on the tank, then place diffuser on a flat, sturdy surface.
5. Press the **[Mist]** button on the front of the diffuser to turn ON.



The diffusion function will not operate and auto shut-off when water level runs low.

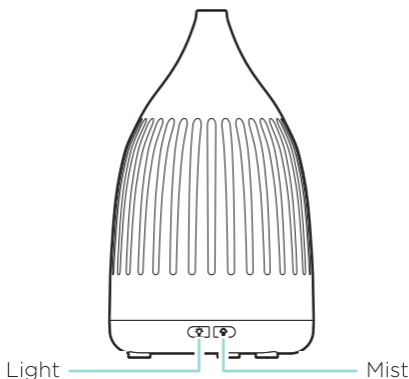
CAUTION: Using more than the recommended amount of oil may cause the diffuser to get clogged and not operate properly.

When finished using, drain any remaining water from the tank, carefully rinse and let dry.

Do not drain water from the side of air outlet.

Using the Diffuser

- Press the **[Mist]** button to turn the diffuser on in continuous diffusion mode. The LED indicator will turn GREEN.
- Press the **[Mist]** button again to change to intermittent diffusion mode. The LED indicator will turn RED. In intermittent diffusion mode, mist will be diffused periodically every ~30 seconds. This greatly increases the length of time the diffuser will operate before the water tank is empty.
- Press the **[Mist]** button a third time to turn the diffuser off.



Using the Light

- Press the **[Light]** button to turn the diffuser lights on in breathing mode. The diffuser light will slowly fade in and out, changing colors.
- Press the **[Light]** button again to lock the current color in place.
- Continue pressing the **[Light]** button to cycle through all the different diffuser light colors and turn off.

Safety Information

1. Do not fill the oil cup over MAX level line.
2. Do not turn the aroma function on when the oil cup is empty.
3. Do not touch the inside base of the tank.
4. Clean regularly per the maintenance instructions in this user manual to avoid malfunctions.
5. Always unplug the power adapter before maintenance.
6. Always pour any remaining oil out of the oil cup and wipe with a clean, dry cloth.
7. Essential oils can stain. In the event of a spill or leakage, please wipe away any water or oil with a soft cloth.
8. Do not let aroma blow directly onto furniture, clothing, art, or any valuable objects.
9. Keep away from direct sunlight, heat sources, air conditioners, and fans.
10. Always keep on a stable, flat surface. Do NOT place on a carpet, bed, cushion or other non-flat, non-stable surface.
11. Keep away from electronic equipment.
12. Do not tip the product as it may cause oil to enter the mechanism and cause malfunction.
13. Do not use for more than 6 hours at a time.
14. Never move the product while in use.
15. Do not touch any part of the product with wet hands.
16. Keep out of reach of children and pets. Children should not be left unsupervised near this product. This unit is not to be used by children or any person(s) with reduced physical, sensory, or mental capabilities, or lack of experience and knowledge, unless they have been given express supervision and instruction.
17. Keep the DC power jack clear of pathways, and do not forcefully pull or remove from the unit.
18. If smoke or burning smell is detected, immediately unplug the unit.


Legal Information

FCC Information

This device complies with Part 18 of the FCC Rules.

Rating Label Definitions

 Direct Current

 This symbol represents FCC Declaration of Conformity and compliance.

Cleaning the Diffuser

Suggestion: It is recommended to clean the diffuser once a week.

When you are finished using the diffuser, unplug the cable, and drain any remaining water in the tank.

Gently wipe the inside of the tank with a clean cloth or rag to remove any leftover oil. Do NOT use any soap or detergent to clean the water tank.

Carefully clean the nozzle over the ultrasonic pad with a brush or cotton swab.

Do NOT get water inside the air outlet while cleaning the diffuser.



**Do not use any soap,
detergent, or bleach
to clean**

All product names, trademarks, and registered trademarks are property of their respective owners. All company, product, and service names used in this document are for identification purposes only. Use of these names, trademarks, and brands does not imply endorsement.

Limited Warranty

1-year Limited Warranty

Territory: United States

LIMITED WARRANTY TO ORIGINAL CONSUMER

This product (including any accessories included in the original packaging) as supplied and distributed new by an authorized retailer is warranted by Southern Telecom, Inc. to the original consumer purchaser against defects in materials and workmanship ("Warranty") as follows:

To obtain warranty service:

- Visit our customer support portal: www.customersupport123.com and select "Support".
- Select the brand, fill out the corresponding form (exchanges require dated proof of purchase from an authorized retailer) then submit your request.

Your product will be repaired or replaced, at our option, for the same or similar model of equal value if examination by the service center determines this product is defective. Products received damaged as a result of shipping will require you to file a claim with the carrier.

Warranty service not provided

This warranty does not cover damage resulting from accident, misuse, abuse, improper installation or operation, lack of reasonable care, unauthorized modification including software modifications such as the installation of custom firmware. This warranty is voided in the event any unauthorized person opens, alters or repairs this product. All products being returned to the authorized service center for repair must be suitably packaged.

NO WARRANTIES, WHETHER EXPRESS OR IMPLIED, INCLUDING, BUT NOT LIMITED TO, ANY IMPLIED WARRANTIES OF MERCHANTABILITY OR FITNESS FOR A PARTICULAR PURPOSE, OTHER THAN THOSE EXPRESSLY DESCRIBED ABOVE SHALL APPLY. DISTRIBUTOR FURTHER DISCLAIMS ALL WARRANTIES AFTER THE EXPRESS WARRANTY PERIOD STATED ABOVE. NO OTHER EXPRESS WARRANTY OR GUARANTY GIVEN BY ANY PERSON, FIRM OR ENTITY WITH RESPECT TO THE PRODUCT SHALL BE BINDING ON DISTRIBUTOR. REPAIR, REPLACEMENT, OR REFUND OF THE ORIGINAL PURCHASE PRICE - AT DISTRIBUTOR'S SOLE DISCRETION - ARE THE EXCLUSIVE REMEDIES OF THE CONSUMER. IN NO EVENT WILL DISTRIBUTOR OR ITS MANUFACTURERS BE LIABLE FOR ANY INCIDENTAL, DIRECT, INDIRECT, SPECIAL, PUNITIVE OR CONSEQUENTIAL DAMAGES (SUCH AS, BUT NOT LIMITED TO, DAMAGES FOR LOSS OF PROFITS, BUSINESS, SAVINGS, DATA OR RECORDS) CAUSED BY THE USE, MISUSE OR INABILITY TO USE THE PRODUCT. EXCEPT AS STATED HEREIN, NO OTHER WARRANTIES SHALL APPLY, NOTWITHSTANDING THE FOREGOING. CONSUMER'S RECOVERY AGAINST DISTRIBUTOR SHALL NOT EXCEED THE PURCHASE PRICE OF THE PRODUCT SOLD BY DISTRIBUTOR. THIS WARRANTY SHALL NOT EXTEND TO ANYONE OTHER THAN THE ORIGINAL CONSUMER WHO PURCHASED THE PRODUCT AND IS NOT TRANSFERABLE.

Some countries, states or provinces do not allow the exclusion or limitation of incidental or consequential damages or allow limitations on warranties, so limitation or exclusions may not apply to you. This warranty gives you specific legal rights, and you may have other rights that vary from state to state or province to province. Contact your authorized retailer to determine if another warranty applies.