



LOMI

**WOOD & COAL
BURNING FIRE PIT**



User Guide
LOMHP205

Before You Begin...

**READ FULL MANUAL CAREFULLY BEFORE USE AND
KEEP FOR FUTURE REFERENCE**

	WARNING : OPEN FLAME. USE WITH CAUTION.
	READ ALL INSTRUCTIONS BEFORE OPERATING. ALWAYS FOLLOW ALL INSTRUCTIONS. FAILURE TO FOLLOW INSTRUCTIONS CAN RESULT IN SERIOUS INJURY.

! Important Safety & Maintenance Warnings

- THIS IS NOT A TOY, please keep away from children.
- Follow all instructions. Use the appliance only for its intended uses as described in this manual.
- This product is intended for **OUTDOOR USE ONLY**. Do not use indoors. **DO NOT** use on wooden decks.
- Fire pit must be used strictly on horizontal and flat surface.
- This product will become very hot, **DO NOT** move it while burning a fire.
- Always keep children and pets away from the product when in use.
- Never leave a burning fire unattended.
- The fire pit should never be lit or tended by minors.
- Always use heat resistant gloves during use and when adding fuel.
- Don't move the heating grill and metal cover by hand, use a poker to move.
- Don't put ice or water into the fire bowl. This will lead to the rust of the fire bowl after a long time. So you have to use fire pit covers to prevent rain from getting wet.
- This fire pit is intended to burn wood **ONLY!** **DO NOT** burn coal, leaves, or other combustible materials in the fire pit.
- This fire pit is **NOT** intended for cooking and **SHOULD NOT** be used for this purpose.
- Do not open this product or attempt to repair the unit yourself. If damaged, contact us at **customersupport123.com**.

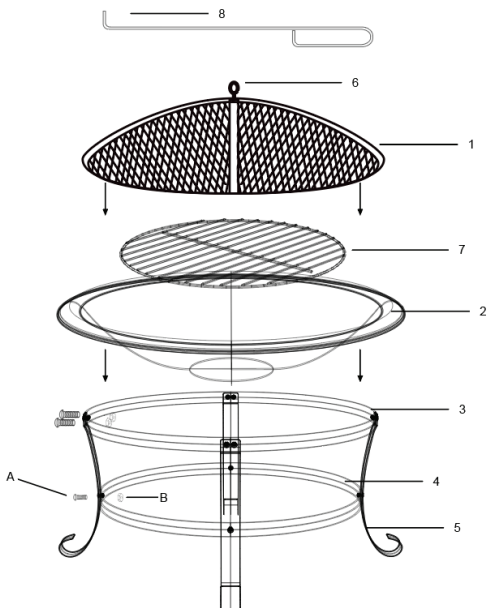
In the Box

- | | |
|---------------|----------------|
| • Fire Pit | • Spark Screen |
| • Fire Stoker | • Grate |

Getting Started

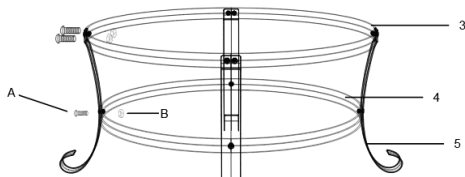
Location of Controls

1. Mesh Cover (x1)
2. Fire Bowl (x1)
3. Fire Bowl Support Ring (x1)
4. Lower Leg Ring (x1)
5. Metal Leg (x4)
6. Top Handle & Nut (x1)
7. Grate (x1)
8. Poker (x1)
- A. Screw (x13)
- B. Hexagonal Nut (x13)



Setting Up

1. Using the screws (A) and nuts (B), assemble the basic frame of the fire pit, using the fire bowl support ring (3), lower leg ring (4), and 4 legs (5). Slide the screws into the holes, facing inwards. Secure them by screwing on the nuts with your hands and/or a screwdriver (*not included*).



2. Place the fire bowl (2) onto the top of the fire bowl support ring (3). Place the grate (7) into the fire bowl.

3. Install the top handle (6) onto the mesh cover (1). Place the mesh cover (1) onto the fire bowl (2).



4. The fire pit is assembled and ready for use!

Safety Notes:

- Follow common sense fire safety rules.
- When burning wood or coal, **place on top of the grate (7)**. Burning directly on the bottom of the bowl can destroy the surface coating.
- Use fire pit in a wide open space **ONLY**. Do not use indoors, or use too close to flammable materials.
- Do not touch or move while a fire is burning, or while the fire pit is still hot.

Cleaning & Maintenance

In order to prolong the life of the fire pit, please clean the fire pit after using. It can be cleaned using a damp cloth, and then wiped dry.

It is best to keep the fire pit dry as much as possible to avoid rust. When not using, it's best to store in a dry location.

Warranty Information

90-Day Limited Warranty

Territory: United States

LIMITED WARRANTY TO ORIGINAL CONSUMER

This product as supplied and distributed new by an authorized retailer is warranted by Southern Telecom, Inc. to the original consumer purchaser against defects in materials and workmanship ("Warranty") as follows:

To obtain warranty service:

- Visit our customer support portal: www.customersupport123.com and select "**Support**".
- Select the brand, fill out the corresponding form (exchanges require dated proof of purchase from an authorized retailer) then submit your request.

Your product will be repaired or replaced, at our option, for the same or similar model of equal value if examination by the service center determines this product is defective. Products received damaged as a result of shipping will require you to file a claim with the carrier.

Warranty service not provided

This warranty does not cover damage resulting from accident, misuse, abuse, improper installation or operation, lack of reasonable care, unauthorized modification including software modifications such as the installation of custom firmware. This warranty is voided in the event any unauthorized person opens, alters or repairs this product. All products being returned to the authorized service center for repair must be suitably packaged.

NO WARRANTIES, WHETHER EXPRESS OR IMPLIED, INCLUDING, BUT NOT LIMITED TO, ANY IMPLIED WARRANTIES OF MERCHANTABILITY OR FITNESS FOR A PARTICULAR PURPOSE, OTHER THAN THOSE EXPRESSLY DESCRIBED ABOVE SHALL APPLY. DISTRIBUTOR FURTHER DISCLAIMS ALL WARRANTIES AFTER THE EXPRESS WARRANTY PERIOD STATED ABOVE. NO OTHER EXPRESS WARRANTY OR GUARANTY GIVEN BY ANY PERSON, FIRM OR ENTITY WITH RESPECT TO THE PRODUCT SHALL BE BINDING ON DISTRIBUTOR. REPAIR, REPLACEMENT, OR REFUND OF THE ORIGINAL PURCHASE PRICE - AT DISTRIBUTOR'S SOLE DISCRETION - ARE THE EXCLUSIVE REMEDIES OF THE CONSUMER. IN NO EVENT WILL DISTRIBUTOR OR ITS MANUFACTURERS BE LIABLE FOR ANY INCIDENTAL, DIRECT, INDIRECT, SPECIAL, PUNITIVE OR CONSEQUENTIAL DAMAGES (SUCH AS, BUT NOT LIMITED TO, DAMAGES FOR LOSS OF PROFITS, BUSINESS, SAVINGS, DATA OR RECORDS) CAUSED BY THE USE, MISUSE OR INABILITY TO USE THE PRODUCT. EXCEPT AS STATED HEREIN, NO OTHER WARRANTIES SHALL APPLY. NOTWITHSTANDING THE FOREGOING, CONSUMER'S RECOVERY AGAINST DISTRIBUTOR SHALL NOT EXCEED THE PURCHASE PRICE OF THE PRODUCT SOLD BY DISTRIBUTOR. THIS WARRANTY SHALL NOT EXTEND TO ANYONE OTHER THAN THE ORIGINAL CONSUMER WHO PURCHASED THE PRODUCT AND IS NOT TRANSFERABLE.

Some countries, states or provinces do not allow the exclusion or limitation of incidental or consequential damages or allow limitations on warranties, so limitation or exclusions may not apply to you. This warranty gives you specific legal rights, and you may have other rights that vary from state to state or province to province. Contact your authorized retailer to determine if another warranty applies.



All product names, trademarks, and registered trademarks are property of their respective owners. All company, product, and service names used in this document are for identification purposes only. Use of these names, trademarks, and brands does not imply endorsement.

Printed in China
Designed in the U.S.
v1. 04/2022