


Lomi User Guide

(Front)


IMPORTANT SAFETY INSTRUCTIONS

READ ALL SAFETY WARNINGS BEFORE USE. FOLLOW ALL SAFETY INSTRUCTIONS.




WARNING
RISK OF ELECTRIC SHOCK

READ ALL INSTRUCTIONS BEFORE OPERATING. ALWAYS FOLLOW ALL INSTRUCTIONS. FAILURE TO FOLLOW INSTRUCTIONS CAN RESULT IN SERIOUS INJURY.

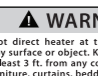


CAUTION
RISK OF ELECTRIC SHOCK
DO NOT OPEN



CAUTION
RISK OF ELECTRIC SHOCK
DO NOT OPEN

Model No.: LOMH1502
Input: AC 110-120V, 50/60 Hz
Power: 1500W




WARNING
Do not direct heater at the ceiling, wall or other surface or object. Keep the heater a distance of at least 3 ft. from any combustible material, such as furniture, curtains, bedding, clothes or paper.

Warning
To reduce risk of electric shock, and to ensure safe and proper use, read all safety information before using the device.
THIS IS NOT A TOY. Please keep away from children and pets.
 • Follow all instructions. Heed all warnings.
 • Only use with manufacturer-approved accessories, and supplies.
 • Do not expose the unit to extreme temperatures (heat or cold), open flames, humid conditions, or wet conditions.
 • Keep away from rain and moisture. Do not submerge in water.
 • Never operate or handle the product or plug with wet hands.
 • Clean only with a dry cloth.
 • Do not block any ventilation openings. Install in accordance with the manufacturer's instructions.
 • Do not install near any heat sources such as radiators, heat registers, stoves, or other apparatus (including amplifiers) that produce heat.

Important safety warnings continued on the next two pages.

Warning (continued)

- Do not defeat the safety purpose of the polarized or grounding-type plug. A polarized plug has two blades with one wider than the other. A grounding-type plug has two blades and a third grounding prong. The wide blade or the third prong are provided for your safety. When the provided plug does not fit into your outlet, consult an electrician for replacement of the obsolete outlet.
- Protect the power cord from being walked on or pinched particularly at plugs, convenience receptacles, and the point where they exit from the apparatus.
- Unplug & store away during rain, lightning & thunder storms, or when unused for long periods of time.
- Do not open or attempt to repair the unit yourself should it not be working. Refer all servicing to qualified service personnel. Servicing is required when the apparatus has been damaged in any way, such as power-supply cord or plug is damaged or wires are exposed, liquid has been spilled or objects have fallen into the apparatus, the apparatus has been exposed to rain or moisture, does not operate normally, or has been dropped.
- WARNING:** The mains plug is used as a disconnect device; the disconnect device shall remain readily operable.
- WARNING:** To reduce the risk of fire or electric shock, do not expose this apparatus to rain or moisture. The apparatus shall not be exposed to dripping or splashing, and objects filled with liquids, such as vases, shall not be placed on apparatus.
-  This equipment is a Class II or double-insulated electrical appliance. It has been designed in such a way that it does not require a safety connection to electrical earth.

Caution

- Do not use appliance for other than intended use.
- Do not operate unattended.
- Do NOT put fingers or hands into the product.
- Keep out of reach of children and pets. Children should not be left unsupervised near this product. This unit is not to be used by children or any person(s) with reduced physical, sensory, or mental capabilities, or lack of experience and knowledge unless they have been given express supervision and instruction.

Additional Precautions and Warnings

- The output power taken from the supply must not exceed the rating given on the power supply.
- Always turn off and unplug when not in use or before maintenance.
- Keep away from direct sunlight, heat sources, air conditioners, and fans.
- Always keep on a stable, flat surface. Do NOT place on a carpet, bed, cushion or other non-flat, non-stable surface.
- Keep away from electronic equipment.
- Never move the product while in use.
- Keep the power cable clear of pathways, and do not forcefully pull or remove from the unit.
- To disconnect, grip plug and pull from wall outlet. Never pull on cord to disconnect.
- If smoke or burning smell is detected, immediately unplug the unit.
- Do not use outdoors.
- If hot after using, wait for the device to cool down completely before touching.

Electric Heater Warnings

- WARNING:** You must not cover this appliance. Covering the appliance prevents the fan and will activate the safety fuse, permanently disabling the unit.
- Use only the voltage specified on the rating label of the appliance.
- Keep all objects at least 1 meter from the front, sides and rear of the appliance.
- The appliance is intended for household use only and not for commercial or industrial use.
- Outdoor use only.
- Do not use abrasive cleaning products on this appliance. Clean with a damp cloth (not wet) mixed in hot soapy water only. Always remove plug from the mains supply before cleaning.
- The common cause of overheating is deposits of dust or fluff in the appliance. Ensure these deposits are removed regularly by unplugging the appliance and vacuum cleaning the air vents and grille.
- Always unplug the appliance when not in use.
- When the appliance has been unpacked, check it for transport damage and ensure all parts have been delivered. If parts are missing or the appliance has been damaged, contact the Outdoor Customer Service Team.
- If your appliance does not work, or is not working properly, contact the place of purchase or the Outdoor Customer Service Team.
- Do not connect the appliance to mains supply until completely assembled and adjusted.
- Ensure hands are dry before handling the plug or main unit.
- The heater must not be located immediately below a window.
- Ensure appliance is on a flat, stable, heat-resistant surface.
- Do not operate with cord set coiled up as a heat build up is likely, which could be sufficient to become a hazard.
- Carry out regular checks of the supply cord to ensure no damage is evident.
- If the supply cord is damaged, it must be replaced by the manufacturer, or a service agent or similarly qualified persons in order to avoid a hazard.
- Do not operate this appliance with a damaged cord, plug or after the appliance malfunctions or has been exposed or damaged in any manner. Refer to a qualified electrical person for examination, electrical service or repair.
- Do not heat, kink or wrap the cord around the appliance, as this may cause the insulation to weaken and melt. Always ensure that all cord has been detached from the cord storage area and is unraveled before use.
- It is recommended that this appliance is plugged directly into the wall socket. The use of power boards is not recommended as many power boards are not designed to supply power to high wattage appliances.
- A corded specified, undamaged extension cord may be used with this appliance provided it is used in a safe manner.
- Use the appliance only as described in this manual. Any other use is not recommended by the manufacturer and may cause fire, electric shock or injury.
- Do not remove plug from power socket until the appliance has been switched off.
- Do not place cord under carpet or cover with legs or furniture. Arrange the cord so it cannot be stepped over.
- Do not place appliance on bedding or on thick & long carpet where the openings may get blocked.
- Switch off and use handles provided when moving.
- Do not place appliance close to radiant heat source.
- Never use the appliance to dry clothes.
- Do not insert or allow foreign objects to enter any ventilation or exhaust opening, as this may cause an electric shock, fire or damage to the appliance.
- Do not sit on the appliance.
- The appliance is not intended for use by persons (including children) with reduced physical, sensory or mental capabilities or lack of experience and knowledge, unless they are supervised or have been given instruction concerning the use of the appliance.
- There are no user-serviceable parts installed in the unit.
- Children should be supervised to ensure that they do not play with the appliance.
- Do not use the appliance in the immediate surrounds of a bath, a shower, or a swimming pool or other aquatic. The appliance must not be immersed in any liquid.
- Do not place the unit in wardrobes or other enclosed spaces as this may cause fire hazards.
- This unit is not supposed to be used in or around locations where foodstuffs, works of art or delicate articles of science, etc. are stored.

Compliance Information

FCC Information

This device complies with Part 15 of the FCC Rules.

Caution: Any changes or modifications not expressly approved could void the user's authority to operate the equipment.

Note: This equipment has been tested and found to comply with the limits for a Class B digital device, pursuant to part 15 of the FCC Rules. These limits are designed to provide reasonable protection against harmful interference in a residential installation. This equipment generates, uses and can radiate radio frequency energy and, if not installed and used in accordance with the instructions, may cause harmful interference to radio communications. However, there is no guarantee that interference will not occur in a particular installation. If this equipment does cause harmful interference to radio or television reception, which can be determined by turning the equipment off and on, the user is encouraged to try to correct the interference by one or more of the following measures:

- Reorient or relocate the receiving antenna.
- Increase the separation between the equipment and receiver.
- Connect the equipment into an outlet on a circuit different from that to which the receiver is connected.
- Consult the dealer or an experienced radio/TV technician for help.

This device complies with Part 15 of the FCC Rules. Operation is subject to the following two conditions: (1) This device may not cause harmful interference, and (2) this device must accept any interference received, including interference that may cause undesired operation.

Radiation Exposure Information

This device has been evaluated to meet general RF exposure requirements. The device can be used in portable exposure conditions without restriction.

Rating Label Definitions

The ETL Mark is proof of product compliance to North American safety standards. Authorities Having Jurisdiction (AHJs) and code officials across the US and Canada accept the ETL Listed Mark as proof of product compliance to published industry standards.

The FCC symbol represents FCC Declaration of Conformity and compliance.

Warranty Information

90-Day Limited Warranty

Territory: United States/Canada

LIMITED WARRANTY TO ORIGINAL CONSUMER
This product as supplied and distributed new by an authorized retailer is warranted by Southern Telecom, Inc. to the original consumer purchaser against defects in materials and workmanship ("Warranty") as follows:

To obtain warranty service:

- Visit our customer support portal: www.customersupport123.com
- Select the brand and model of your device
- Select "Service Request" and fill out the form to begin your inquiry
- Exchanges require dated proof of purchase from an authorized retailer

Your product will be repaired or replaced, at our option, for the same or similar model of equal value if examination by the service center determines this product is defective. Products received damaged as a result of shipping will require you to file a claim with the carrier.


Warranty service not provided
This warranty does not cover damage resulting from accident, misuse, abuse, improper installation or operation, lack of reasonable care, unauthorized modification including software modifications such as the installation of custom firmware. This warranty is voided in the event any unauthorized person opens, alters or repairs this product. All products being returned to the authorized service center for repair must be suitably packaged.

NO WARRANTIES, WHETHER EXPRESS OR IMPLIED, INCLUDING BUT NOT LIMITED TO, ANY IMPLIED WARRANTIES OF MERCHANTABILITY OR FITNESS FOR A PARTICULAR PURPOSE, OTHER THAN THOSE EXPRESSLY DESCRIBED ABOVE SHALL APPLY. DISTRIBUTOR FURTHER DISCLAIMS ALL WARRANTIES AFTER THE EXPRESS WARRANTY PERIOD STATED ABOVE. NO OTHER EXPRESS WARRANTY OR WARRANTY GIVEN BY ANY PERSON, FIRM OR ENTITY WITH RESPECT TO THE PRODUCT SHALL BE BINDING ON DISTRIBUTOR. REPAIR, REPLACEMENT OR REFUND OF THE ORIGINAL PURCHASE PRICE - AT DISTRIBUTOR'S SOLE DISCRETION - ARE THE EXCLUSIVE REMEDIES OF THE CONSUMER. IN NO EVENT WILL DISTRIBUTOR OR ITS MANUFACTURERS BE LIABLE FOR ANY INCIDENTAL, DIRECT, INDIRECT, SPECIAL, PUNITIVE OR CONSEQUENTIAL DAMAGES (SUCH AS, BUT NOT LIMITED TO, DAMAGES FOR LOSS OF PROFITS, BUSINESS SAVINGS, DATA OR RECORDS) CAUSED BY THE USE, MISUSE OR INABILITY TO USE THE PRODUCT, EXCEPT AS STATED HEREIN. NO OTHER WARRANTIES SHALL APPLY. NOTWITHSTANDING THE FOREGOING, CONSUMER'S RECOVERY AGAINST DISTRIBUTOR SHALL NOT EXCEED THE PURCHASE PRICE OF THE PRODUCT SOLD BY DISTRIBUTOR. THIS WARRANTY SHALL NOT EXTEND TO ANYONE OTHER THAN THE ORIGINAL CONSUMER WHO PURCHASED THE PRODUCT AND IS NOT TRANSFERABLE.

Some countries, states or provinces do not allow the exclusion or limitation of incidental or consequential damages or allow limitations on warranties, so limitation or exclusions may not apply to you. This warranty gives you specific legal rights, and you may have other rights that vary from state to state or province to province. Contact your authorized retailer to determine if another warranty applies.

All product names, trademarks, and registered trademarks are property of their respective owners. All company, product, and service names used in this document are for identification purposes only. Use of these names, trademarks, and brands does not imply endorsement.

Printed in China / Designed in the US, v1.0/2021



LOMI HEATER
ELECTRIC PATIO HEATER

User Guide
LOMH1502

(Back)

Before You Begin...

READ FULL MANUAL BEFORE USING & SAVE FOR FUTURE REFERENCE

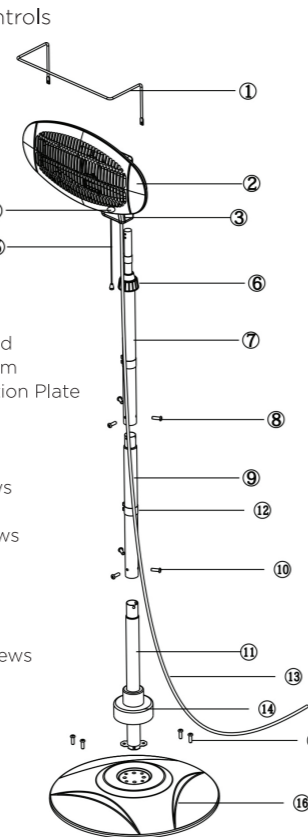
Using in Wet Conditions
This heater has an Ingress Protection (IP) rating of IP34, which means it is protected from water splashes from all directions.
 • Never submerge the heater in water.
 • It is NOT recommended to use in the rain.
 • It is best to store the heater away during rain and thunderstorms.
 Disconnect from power, and store in a dry location.

Heat Danger Warnings
THIS IS NOT A TOY, please keep away from children.
 • **WARNING:** Keep children away from the heater, cord and outlets. Never let children touch or play with the heater. Supervised attention must be given when children are present.
 • Always choose a safe location for the heater, keeping in mind the safety precautions outlined. Ensure all packaging has been removed from the unit before use. This appliance requires no installation, it should be used solely as a portable appliance.
 • **WARNING:** This heater can only be used outdoors. It needs to be in a protected and covered space. If using an extension cord, the cord and socket must be fully waterproof.
 • **WARNING:** Keep all objects at least 1 yard from the front and sides of the unit. To avoid overheating or risk of fire, do not cover the heater. It is dangerous to install the appliance close to any combustible materials. Pay attention that no combustible material due to wind or other environmental influences will cover or obstruct the heater.
 • Do not use the heater with a programmer, timer, separate remote-control system, or any other device that switches the heater on automatically, since a fire risk exists if the heater is covered or positioned incorrectly.
 • Do not use the heater in reach of a shower, bath or a swimming pool.
 • Do not use to dry towels, clothes or any other items.
 • **CAUTION:** Some parts of this product can become extremely hot and cause burns.
 • If the heater cord is damaged, stop using the heater, it must be replaced by the manufacturer or a similarly qualified person to avoid a fire hazard.

Questions & Support
If you have any questions or problems concerning this product, please visit our website at customersupport123.com.

Getting Started

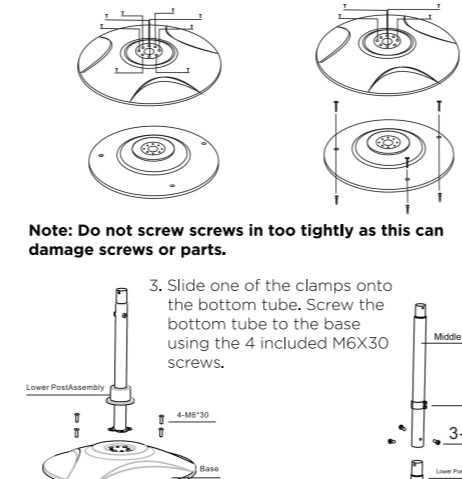
Location of Controls



- Handle
- Heat Lamp Head
- Lamp Head Stem
- Position Indication Plate
- Pull Switch
- Clamp
- Top Tube
- 3 - M5X6 Screws
- Middle Tube
- 3 - M5X6 Screws
- Bottom Tube
- Clamp
- Power Cord
- Base Cover
- 4 - M6X30 Screws
- Base

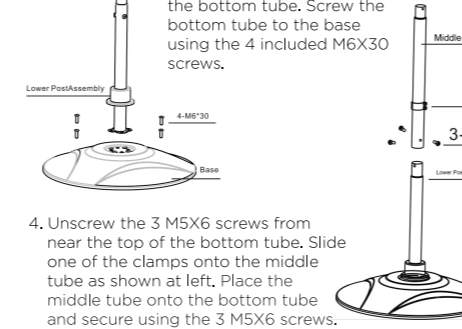
Setting Up

- Unpack the heater and all components from the box. Remove all protective & packing materials from the heater and its components.
- To fix the chassis to the ground, remove the 8 M6X30 screws, and remove the base from the chassis as shown below. Use the 3 expansion screws to affix the chassis to the ground. Replace the base over the chassis, aligning the screw holes, and affix with the M6X30 screws.



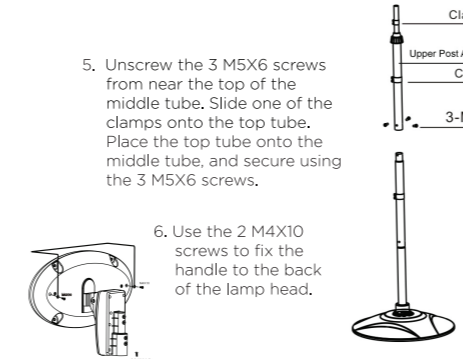
Note: Do not screw screws in too tightly as this can damage screws or parts.

- Slide one of the clamps onto the bottom tube. Screw the bottom tube to the base using the 4 included M6X30 screws.

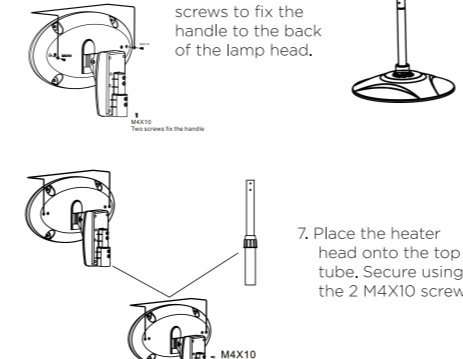


- Unscrew the 3 M5X6 screws from near the top of the bottom tube. Slide one of the clamps onto the middle tube as shown at left. Place the middle tube onto the bottom tube and secure using the 3 M5X6 screws.

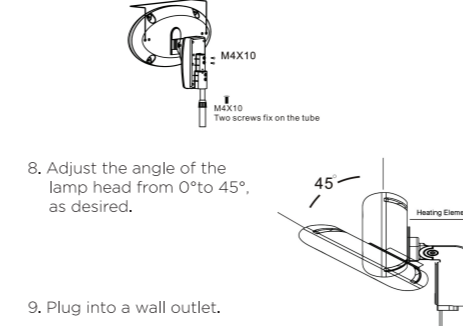
- Unscrew the 3 M5X6 screws from near the top of the middle tube. Slide one of the clamps onto the top tube. Place the top tube onto the middle tube, and secure using the 3 M5X6 screws.



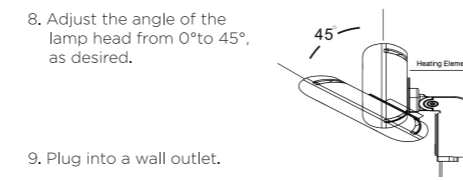
- Use the 2 M4X10 screws to fix the handle to the back of the lamp head.



- Place the heater head onto the top tube. Secure using the 2 M4X10 screws.



- Adjust the angle of the lamp head from 0° to 45°, as desired.

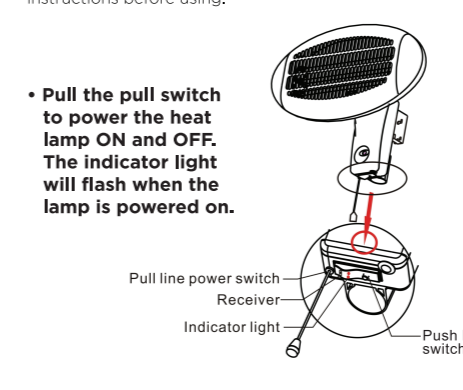


- Plug into a wall outlet.

Using the Lamp

Assemble the heating lamp according to the setup instructions before using.


- Pull the pull switch to power the heat lamp ON and OFF. The indicator light will flash when the lamp is powered on.**
- Use the push button switch to adjust settings.**

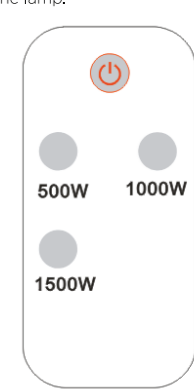


The heat lamp can also be controlled using the included remote control. See the "Remote Control" section on the next page.

Using the Remote Control

When the heat lamp is powered ON, you can use the included remote control to control the lamp.

- Press the  button on the remote control to enter or exit Standby mode.
- Press the **500W** button to set the heat lamp on Low Heat setting.
- Press the **1000W** button to set the heat lamp on Medium Heat setting.
- Press the **1500W** button to set the heat lamp on High Heat setting.



500W: Low Heat
1000W: Medium Heat
1500W: High Heat

Cleaning

Before cleaning, power OFF, unplug, and allow the heater to cool down completely.

Clean the outside of the heater with a damp cloth ONLY. Dry the heater with a dry cloth after cleaning, and allow to dry completely before using again.

- Do NOT use corrosive cleaners.**
- Never submerge any part of the heater in water or liquid.**
- Never touch the power plug with wet hands, or allow the plug to get wet.**

Storage

Allow the heater to cool down completely before storing.

The heater should be stored in a cool, dry location away from combustible/flammable liquids and materials, and away from sources of light, heat, wind, moisture or water. It is best stored in its original packaging.