



LOMI

Sunrise Alarm Clock
With LED Lights



Instruction Guide
LOMD2082

Before You Begin...

Caution

To ensure safe and proper use, read all safety information before using the device. Only use with manufacturer-approved batteries, chargers, accessories, and supplies.

- **READ CAREFULLY AND KEEP THIS MANUAL**
- **THIS IS NOT A TOY**, Please keep away from children.
- Do not expose the unit to extreme temperatures (heat or cold), open flames, humid conditions, or wet conditions.
- **Do not submerge in water.**
- Do not open this product or attempt to repair the unit yourself should it not be working.
- Do not allow the USB ports, power jack or other inputs of the device to be exposed to dust, or water, or come into contact with any conductive materials such as liquids, metallic powders, etc.

Questions & Support

If you have any questions or problems concerning this product, please visit our website at **customersupport123.com**.

In the Box

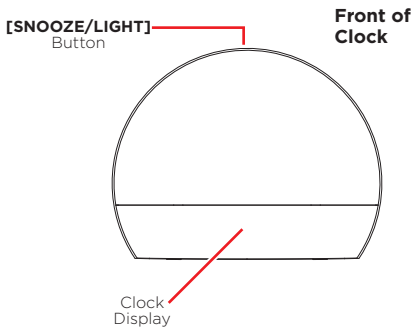
- LOMD2082 - **Sunrise Alarm Clock** (x1)
- Type-C USB Power Cable (x1)
- User Manual (x1)



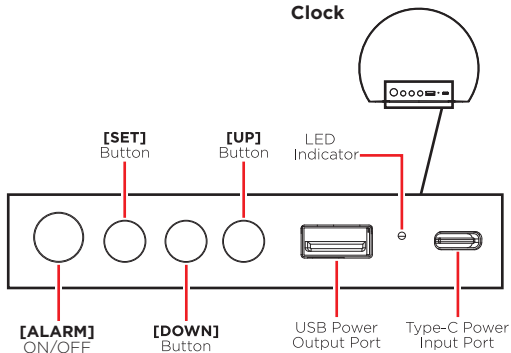
LOMI

Getting Started

Location of Controls



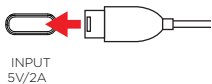
Back of Clock



Connecting to Power

Insert the small connector of the included USB power cable into the power input port on the back of the clock. Insert the large connector into the USB port on a computer or into a compatible **5V/2A USB Power Adapter** (not included) and plug into a wall outlet.

The clock display will turn on when the clock is connected to power.



If the clock is disconnected from power, it will only save the time and settings for 60 seconds.

Display Modes

Press the **[UP]** button on the back of the clock to switch between clock display modes. Press the **[SET]** button to save as the default mode.

- **Mode 1** shows the time for 10 seconds and the date and temperature for 2 seconds.
- **Mode 2** shows the time, alarm, date and temp. at all times.

Setting the Time

1. Press the **[SET]** button until the time is displayed.
2. *Press + hold* the **[SET]** button to set the time. The time hours will begin flashing. Press the **[UP]** and **[DOWN]** buttons to adjust. The dot in the upper left corner of the display will appear when the hour is in PM.



3. Press **[SET]** to save the hour setting. The minute digits will begin flashing. Press the **[UP]** and **[DOWN]** buttons to adjust, and press **[SET]** to save. The clock will return to its default display mode.



See the last page of the manual for **Bedside Light** instructions.

Setting the Alarm Time

1. Press the **[ALARM]** button to turn the alarm ON or OFF.
2. Press the **[SET]** button until the alarm time is displayed.
3. Press the **[DOWN]** button to turn the alarm ON or OFF. The dot in the lower left corner of the clock display will appear when the alarm is turned on.



Alarm OFF



Alarm ON

3. When the alarm is turned on, *press + hold* the **[SET]** button to set the alarm time. The alarm hours will begin flashing. Press the **[UP]** and **[DOWN]** buttons to adjust.
4. Press **[SET]** to save the alarm hour setting. The alarm minute digits will begin flashing. Press the **[UP]** and **[DOWN]** buttons to adjust, and press **[SET]** to save. The clock will return to its default display mode.

Setting the Date

1. Press the **[SET]** button until the date is displayed.
2. *Press + hold* the **[SET]** button to set the date. The year will begin flashing. Press the **[UP]** and **[DOWN]** buttons to adjust.
3. Press **[SET]** to save the year setting. The month will begin flashing. Press the **[UP]** and **[DOWN]** buttons to adjust, and press **[SET]** to save the month.
4. The day will begin flashing. Press the **[UP]** and **[DOWN]** buttons to adjust, and press **[SET]** to save. The clock will return to default display mode.

Changing Temperature Units

1. Press the **[SET]** button until the temperature is displayed.
2. Press the **[DOWN]** button to switch between degrees Fahrenheit ($^{\circ}$ F) and Celcius ($^{\circ}$ C).
3. Press **[SET]** to save. The clock will return to default display mode.

Using the Bedside Light

- Press the **[SNOOZE/LIGHT]** button on the top of the clock to turn the bedside light ON in white light mode.
- Press the **[SNOOZE/LIGHT]** button to adjust the light brightness between low, medium and high.
- *Press and hold* the **[SNOOZE/LIGHT]** button to switch to color-changing light mode.
- In color-changing light mode, press the **[SNOOZE/LIGHT]** button to choose a light color.
- *Press and hold* the **[SNOOZE/LIGHT]** button to switch back to white light mode. **Note:** the bedside can only be powered OFF from white light mode.

Note: The bedside light cannot be used when the clock is in sunrise mode and snooze mode.

Using the Sunrise Light

The clock's sunrise light function will turn on 20 minutes before your alarm time, and gradually increase in brightness until your alarm goes off.

To use the sunrise light, set the alarm before you go to sleep.

Snooze Function

- Press the **[SNOOZE/LIGHT]** button when the alarm goes off to activate the Snooze function. The alarm will ring again in 5 minutes. The sunrise light will continue to shine at full brightness during the snooze time.
- To turn the alarm and sunrise light off completely, press and hold the **[SNOOZE/LIGHT]** button when the alarm goes off. This only turns them off for the day, and they will activate again as normal the next day.

Using the USB Power Output

You can power or charge a USB device using the USB power output port on the back of the clock.

To use, simply plug your device's USB connector into the USB power port while the clock is connected to power.

Compliance Information

FCC Information

This device complies with Part 15 of the FCC Rules.

Caution: Any changes or modifications not expressly approved could void the user's authority to operate the equipment.

Note: This equipment has been tested and found to comply with the limits for a Class B digital device, pursuant to part 15 of the FCC Rules. These limits are designed to provide reasonable protection against harmful interference in a residential installation. This equipment generates, uses and can radiate radio frequency energy and, if not installed and used in accordance with the instructions, may cause harmful interference to radio communications. However, there is no guarantee that interference will not occur in a particular installation. If this equipment does cause harmful interference to radio or television reception, which can be determined by turning the equipment off and on, the user is encouraged to try to correct the interference by one

or more of the following measures:

- Reorient or relocate the receiving antenna.
- Increase the separation between the equipment and receiver.
- Connect the equipment into an outlet on a circuit different from that to which the receiver is connected.
- Consult the dealer or an experienced radio/TV technician for help.

This device complies with Part 15 of the FCC Rules. Operation is subject to the following two conditions: (1) This device may not cause harmful interference, and (2) this device must accept any interference received, including interference that may cause undesired operation.

Radiation Exposure Information

This device has been evaluated to meet general RF exposure requirements. The device can be used in portable exposure conditions without restriction.

Rating Label Definitions



Direct current symbol



This symbol represents FCC Declaration of Conformity and compliance.

Warranty Information

90-Day Limited Warranty

Territory: United States/Canada

LIMITED WARRANTY TO ORIGINAL CONSUMER

This product as supplied and distributed new by an authorized retailer is warranted by Southern Telecom, Inc. to the original consumer purchaser against defects in materials and workmanship ("Warranty") as follows:

To obtain warranty service:

- Visit our customer support portal: www.customersupport123.com
- Select the brand and model of your device
- Select "Service Request" and fill out the form to begin your inquiry
- Exchanges require dated proof of purchase from an authorized retailer

Your product will be repaired or replaced, at our option, for the same or similar model of equal value if examination by the service center determines this product is defective. Products received damaged as a result of shipping will require you to file a claim with the carrier.

Warranty service not provided

This warranty does not cover damage resulting from accident, misuse, abuse, improper installation or operation, lack of reasonable care, unauthorized modification including software modifications such as the installation of custom firmware. This warranty is voided in the event any unauthorized person opens, alters or repairs this product. All products being returned to the authorized service center for repair must be suitably packaged.

NO WARRANTIES, WHETHER EXPRESS OR IMPLIED, INCLUDING, BUT NOT LIMITED TO, ANY IMPLIED WARRANTIES OF MERCHANTABILITY OR FITNESS FOR A PARTICULAR PURPOSE, OTHER THAN THOSE EXPRESSLY DESCRIBED ABOVE SHALL APPLY. DISTRIBUTOR FURTHER DISCLAIMS ALL WARRANTIES AFTER THE EXPRESS WARRANTY PERIOD STATED ABOVE. NO OTHER EXPRESS WARRANTY OR GUARANTY GIVEN BY ANY PERSON, FIRM OR ENTITY WITH RESPECT TO THE PRODUCT SHALL BE BINDING ON DISTRIBUTOR. REPAIR, REPLACEMENT, OR REFUND OF THE ORIGINAL PURCHASE PRICE - AT DISTRIBUTOR'S SOLE DISCRETION - ARE THE EXCLUSIVE REMEDIES OF THE CONSUMER. IN NO EVENT WILL DISTRIBUTOR OR ITS MANUFACTURERS BE LIABLE FOR ANY INCIDENTAL, DIRECT, INDIRECT, SPECIAL, PUNITIVE OR CONSEQUENTIAL DAMAGES (SUCH AS, BUT NOT LIMITED TO, DAMAGES FOR LOSS OF PROFITS, BUSINESS, SAVINGS, DATA OR RECORDS) CAUSED BY THE USE, MISUSE OR INABILITY TO USE THE PRODUCT. EXCEPT AS STATED HEREIN, NO OTHER WARRANTIES SHALL APPLY. NOTWITHSTANDING THE FOREGOING, CONSUMER'S RECOVERY AGAINST DISTRIBUTOR SHALL NOT EXCEED THE PURCHASE PRICE OF THE PRODUCT SOLD BY DISTRIBUTOR. THIS WARRANTY SHALL NOT EXTEND TO ANYONE OTHER THAN THE ORIGINAL CONSUMER WHO PURCHASED THE PRODUCT AND IS NOT TRANSFERABLE.

Some countries, states or provinces do not allow the exclusion or limitation of incidental or consequential damages or allow limitations on warranties, so limitation or exclusions may not apply to you. This warranty gives you specific legal rights, and you may have other rights that vary from state to state or province to province. Contact your authorized retailer to determine if another warranty applies.

All product names, trademarks, and registered trademarks are property of their respective owners. All company, product, and service names used in this document are for identification purposes only. Use of these names, trademarks, and brands does not imply endorsement.