



# LOMI

VISAGE HUMIDIFIER  
PERSONAL SAUNA



User Guide  
LOMB1207

## Before You Begin...

### **READ FULL MANUAL BEFORE USING & SAVE FOR FUTURE REFERENCE**

#### NOT Intended for Medical Use

This product is designed as a non-professional device for skin care. **It is not intended to be a substitute for medical attention.** If your ailments persist or worsen after use, contact your doctor immediately.

Avoid using if you have any of the following skin conditions: allergic reaction, skin lesions, dermatitis, sensitive skin, severe sunburn, swelling, irritation, or open wounds.

**Please consult your doctor prior to using this product, if you have any concerns regarding your health.**

#### Caution

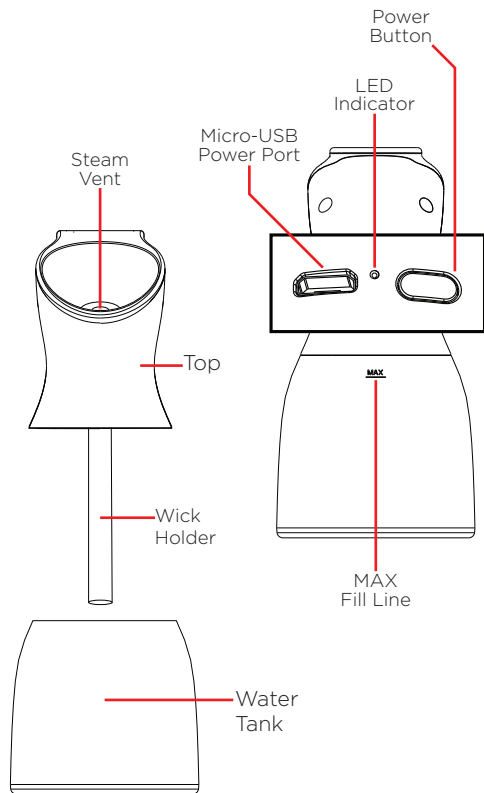
- **THIS IS NOT A TOY, please keep away from children.**
- **Do not submerge in water.**
- **Never use in or near a bathtub, pool or body of water. Never use the facial steamer where it could fall into a body of water.**
- Keep away from open flames, water, moisture, and extreme heat or cold.
- Supervision is recommended when this appliance is used by individuals with certain disabilities.
- Use this appliance only for its intended use as described in this manual. DO NOT use attachments not recommended by the manufacturer.
- Never operate this appliance if it is not working properly or if it has been dropped or damaged.
- Keep the appliance away from heated surfaces.
- Do not open this product or attempt to repair the unit yourself. There are no user-serviceable parts.

#### In the Box

- Facial Steamer (x1)
- Power Cable (x1)
- Sponge Wick (x2)
- Instruction Manual (x1)

# Using the Steamer

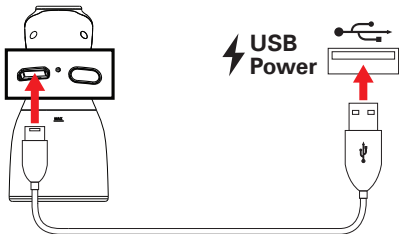
## Location of Controls



## Connecting to Power

Plug the small connector of the included power cable into the micro-USB power port on the back of the steamer.

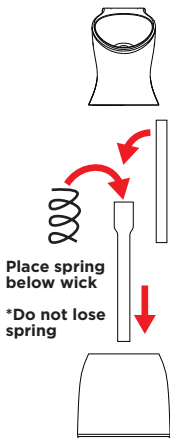
Plug the large connector into a USB power source, such as the USB port on a computer, or a 5V USB wall adapter (*not included*).



## Setting Up

1. Pull up on the top to remove. Pull the wick holder from the cover.
2. Remove the wick from the wick holder. Place the spring at the bottom of the wick holder.
3. Wet the entire sponge wick and place back inside.
4. Pour water into the tank. Do not exceed MAX level line. **Use pure water ONLY** - do not add essential oils, which can damage the humidifier.
5. Replace the steamer top, and press closed.

**Note:** Make sure the water in the tank is above the bottom of the cotton wick.

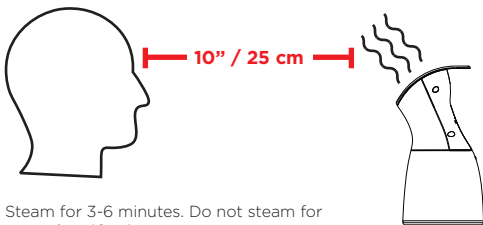


## Using the Humidifier

Set up and connect to power.

Wash your face. You may exfoliate, if desired.

Place your face 10" / 25 cm away from the steam vent on the humidifier.



Steam for 3-6 minutes. Do not steam for more than 10 minutes.

- Press the Power button on the back of the humidifier to power ON in Continuous Mist Mode.
- Press the Power button a 2nd time to enter Intermittent Mist Mode.
- Press the Power button a 3rd time to power OFF.

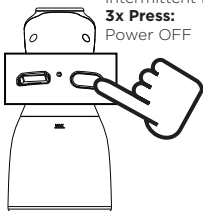
The humidifier will automatically power OFF after 4 hours in Continuous Mist Mode.

### After Use

Disconnect from power after using. Remove cover, and empty excess water out of tank. Store in a cool, dry location.

Replace wick approximately once a month. Replacement humidifier sticks (8 x 150 mm) can be purchased online.

- 1x Press:**  
Continuous Mist
- 2x Press:**  
Intermittent Mist
- 3x Press:**  
Power OFF



# Compliance Information

## FCC Information

This device complies with Part 15 of the FCC Rules.

**Caution:** Any changes or modifications not expressly approved could void the user's authority to operate the equipment.

**Note:** This equipment has been tested and found to comply with the limits for a Class B digital device, pursuant to part 15 of the FCC Rules. These limits are designed to provide reasonable protection against harmful interference in a residential installation. This equipment generates, uses and can radiate radio frequency energy and, if not installed and used in accordance with the instructions, may cause harmful interference to radio communications. However, there is no guarantee that interference will not occur in a particular installation. If this equipment does cause harmful interference to radio or television reception, which can be determined by turning the equipment off and on, the user is encouraged to try to correct the interference by one or more of the following measures:

- Reorient or relocate the receiving antenna.
- Increase the separation between the equipment and receiver.
- Connect the equipment into an outlet on a circuit different from that to which the receiver is connected.
- Consult the dealer or an experienced radio/TV technician for help.

This device complies with Part 15 of the FCC Rules. Operation is subject to the following two conditions: (1) This device may not cause harmful interference, and (2) this device must accept any interference received, including interference that may cause undesired operation.

## Radiation Exposure Information

This device has been evaluated to meet general RF exposure requirements. The device can be used in portable exposure conditions without restriction.

## Rating Label Definitions



Direct current symbol.



This symbol represents FCC Declaration of Conformity and compliance.

# Warranty Information

## 90-Day Limited Warranty

Territory: United States/Canada

### LIMITED WARRANTY TO ORIGINAL CONSUMER

This product as supplied and distributed new by an authorized retailer is warranted by Southern Telecom, Inc. to the original consumer purchaser against defects in materials and workmanship ("Warranty") as follows:

#### To obtain warranty service:

- Visit our customer support portal: [www.customersupport123.com](http://www.customersupport123.com)
- Select the brand and model of your device
- Select "Service Request" and fill out the form to begin your inquiry
- Exchanges require dated proof of purchase from an authorized retailer

Your product will be repaired or replaced, at our option, for the same or similar model of equal value if examination by the service center determines this product is defective. Products received damaged as a result of shipping will require you to file a claim with the carrier.

#### Warranty service not provided

This warranty does not cover damage resulting from accident, misuse, abuse, improper installation or operation, lack of reasonable care, unauthorized modification including software modifications such as the installation of custom firmware. This warranty is voided in the event any unauthorized person opens, alters or repairs this product. All products being returned to the authorized service center for repair must be suitably packaged.

NO WARRANTIES, WHETHER EXPRESS OR IMPLIED, INCLUDING, BUT NOT LIMITED TO, ANY IMPLIED WARRANTIES OF MERCHANTABILITY OR FITNESS FOR A PARTICULAR PURPOSE, OTHER THAN THOSE EXPRESSLY DESCRIBED ABOVE SHALL APPLY. DISTRIBUTOR FURTHER DISCLAIMS ALL WARRANTIES AFTER THE EXPRESS WARRANTY PERIOD STATED ABOVE. NO OTHER EXPRESS WARRANTY OR GUARANTY GIVEN BY ANY PERSON, FIRM OR ENTITY WITH RESPECT TO THE PRODUCT SHALL BE BINDING ON DISTRIBUTOR. REPAIR, REPLACEMENT, OR REFUND OF THE ORIGINAL PURCHASE PRICE - AT DISTRIBUTOR'S SOLE DISCRETION - ARE THE EXCLUSIVE REMEDIES OF THE CONSUMER. IN NO EVENT WILL DISTRIBUTOR OR ITS MANUFACTURERS BE LIABLE FOR ANY INCIDENTAL, DIRECT, INDIRECT, SPECIAL, PUNITIVE OR CONSEQUENTIAL DAMAGES (SUCH AS, BUT NOT LIMITED TO, DAMAGES FOR LOSS OF PROFITS, BUSINESS, SAVINGS, DATA OR RECORDS) CAUSED BY THE USE, MISUSE OR INABILITY TO USE THE PRODUCT. EXCEPT AS STATED HEREIN, NO OTHER WARRANTIES SHALL APPLY. NOTWITHSTANDING THE FOREGOING, CONSUMER'S RECOVERY AGAINST DISTRIBUTOR SHALL NOT EXCEED THE PURCHASE PRICE OF THE PRODUCT SOLD BY DISTRIBUTOR. THIS WARRANTY SHALL NOT EXTEND TO ANYONE OTHER THAN THE ORIGINAL CONSUMER WHO PURCHASED THE PRODUCT AND IS NOT TRANSFERABLE.

Some countries, states or provinces do not allow the exclusion or limitation of incidental or consequential damages or allow limitations on warranties, so limitation or exclusions may not apply to you. This warranty gives you specific legal rights, and you may have other rights that vary from state to state or province to province. Contact your authorized retailer to determine if another warranty applies.



LOMI

All product names, trademarks, and registered trademarks are property of their respective owners. All company, product, and service names used in this document are for identification purposes only. Use of these names, trademarks, and brands does not imply endorsement.

Printed in China  
Designed in the U.S.  
v1. 09/2021