

### Setting the Birthday Alert

1. From default clock time display, press the **[MODE]** button *twice* to enter birthday display mode (no icon will be displayed). Press the **[SET]** button. The birthday hour digits will begin blinking.
2. Adjust the hour digit using the **[UP]** and **[DOWN]** buttons.
3. Press **[SET]** again to save the hour digit. The minute digits will begin blinking. Repeat the above steps to set the minute, year, month and date.
4. The display will return to birthday display mode once you press **[SET]** to save the date. Press the **[MODE]** button *2 times* to return to default clock time display.

### Setting a Timer

1. From default clock time display, press the **[MODE]** button *4 times* to enter timer display mode (the word "TIMER" will be displayed). Press the **[SET]** button. The timer hour digits will begin blinking.
2. Adjust the hour digit using the **[UP]** and **[DOWN]** buttons.
3. Press **[SET]** again to save the hour digit. The minute digits will begin blinking. Adjust the minute digit using the **[UP]** and **[DOWN]** buttons, then press the **[SET]** button to save. The timer will immediately start.

To cancel or turn the timer OFF, set the timer to 00:00.

### Turning the Snooze Function ON/OFF

In default clock time display mode, press the **[UP]** button to toggle the Snooze Function ON and OFF. The display will show a "Zz" icon in the upper right corner when the Snooze Function is activated.

### Playing Music

In default clock time display mode, press the **[DOWN]** button to turn the music ON and OFF, and to play different tracks. When music is playing, the display will show a "(i)" icon.



## Compliance Information

### FCC Information

This device complies with Part 15 of the FCC Rules.

**Caution:** Any changes or modifications not expressly approved could void the user's authority to operate the equipment.

**Note:** This equipment has been tested and found to comply with the limits for a Class B digital device, pursuant to part 15 of the FCC Rules. These limits are designed to provide reasonable protection against harmful interference in a residential installation. This equipment generates, uses and can radiate radio frequency energy and, if not installed and used in accordance with the instructions, may cause harmful interference to radio communications. However, there is no guarantee that interference will not occur in a particular installation. If this equipment does cause harmful interference to radio or television reception, which can be determined by turning the equipment off and on, the user is encouraged to try to correct the interference by one or more of the following measures:

- Reorient or relocate the receiving antenna.
- Increase the separation between the equipment and receiver.
- Connect the equipment into an outlet on a circuit different from that to which the receiver is connected.
- Consult the dealer or an experienced radio/TV technician for help.

This device complies with Part 15 of the FCC Rules. Operation is subject to the following two conditions: (1) This device may not cause harmful interference, and (2) this device must accept any interference received, including interference that may cause undesired operation.

### Radiation Exposure Information

This device has been evaluated to meet general RF exposure requirements. The device can be used in portable exposure conditions without restriction.

### Rating Label Definitions

Direct current symbol.

## Warranty Information

### 90-Day Limited Warranty

Territory: United States/Canada

### LIMITED WARRANTY TO ORIGINAL CONSUMER

This product as supplied and distributed new by an authorized retailer is warranted by Southern Telecom, Inc. to the original consumer purchaser against defects in materials and workmanship ("Warranty") as follows:

### To obtain warranty service:

- Visit our customer support portal: [www.customersupport123.com](http://www.customersupport123.com)
- Select the brand and model of your device
- Select "Service Request" and fill out the form to begin your inquiry
- Exchanges require dated proof of purchase from an authorized retailer

Your product will be repaired or replaced, at our option, for the same or similar model of equal value if examination by the service center determines this product is defective. Products received damaged as a result of shipping will require you to file a claim with the carrier.

### Warranty service not provided

This warranty does not cover damage resulting from accident, misuse, abuse, improper installation or operation, lack of reasonable care, unauthorized modification including software modifications such as the installation of custom firmware. This warranty is voided in the event any unauthorized person opens, alters or repairs this product. All products being returned to the authorized service center for repair must be suitably packaged.

NO WARRANTIES, WHETHER EXPRESS OR IMPLIED, INCLUDING, BUT NOT LIMITED TO, ANY IMPLIED WARRANTIES OF MERCHANTABILITY OR FITNESS FOR A PARTICULAR PURPOSE, OTHER THAN THOSE EXPRESSLY DESCRIBED ABOVE SHALL APPLY. DISTRIBUTOR FURTHER DISCLAIMS ALL WARRANTIES AFTER THE EXPRESS WARRANTY PERIOD STATED ABOVE. NO OTHER EXPRESS WARRANTY OR GUARANTEE GIVEN BY ANY PERSON, FIRM OR ENTITY WITH RESPECT TO THE PRODUCT SHALL BE BINDING ON DISTRIBUTOR. REPAIR, REPLACEMENT, OR REFUND OF THE ORIGINAL PURCHASE PRICE - AT DISTRIBUTOR'S SOLE DISCRETION - ARE THE EXCLUSIVE REMEDIES OF THE CONSUMER. IN NO EVENT WILL DISTRIBUTOR OR ITS MANUFACTURERS BE LIABLE FOR ANY INCIDENTAL, DIRECT, INDIRECT, SPECIAL, PUNITIVE OR CONSEQUENTIAL DAMAGES (SUCH AS, BUT NOT LIMITED TO, DAMAGES FOR LOSS OF PROFITS, BUSINESS, SAVINGS, DATA OR RECORDS) CAUSED BY THE USE, MISUSE OR INABILITY TO USE THE PRODUCT. EXCEPT AS STATED HEREIN, NO OTHER WARRANTIES SHALL APPLY. NOTWITHSTANDING THE FOREGOING, CONSUMER'S RECOVERY AGAINST DISTRIBUTOR SHALL NOT EXCEED THE PURCHASE PRICE OF THE PRODUCT SOLD BY DISTRIBUTOR. THIS WARRANTY SHALL NOT EXTEND TO ANYONE OTHER THAN THE ORIGINAL CONSUMER WHO PURCHASED THE PRODUCT AND IS NOT TRANSFERABLE.

Some countries, states or provinces do not allow the exclusion or limitation of incidental or consequential damages or allow limitations on warranties, so limitation or exclusions may not apply to you. This warranty gives you specific legal rights, and you may have other rights that vary from state to state or province to province. Contact your authorized retailer to determine if another warranty applies.

All product names, trademarks, and registered trademarks are property of their respective owners. All company, product, and service names used in this document are for identification purposes only. Use of these names, trademarks, and brands does not imply endorsement.

Printed in China  
v1. 12-2020



## LED Digital Alarm Clock



Instruction Manual  
CWCLKLED

## Before You Begin...

### READ CAREFULLY AND SAVE THIS MANUAL

#### Caution

To ensure safe and proper use, read all safety information before using the device. Only use with manufacturer-approved accessories and supplies.

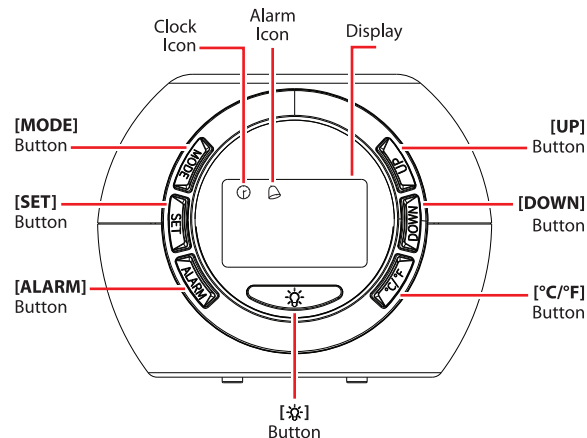
• **THIS DEVICE IS NOT A TOY, please keep away from children and pets**

- Do not expose the unit to extreme temperatures (heat or cold), open flames, humid conditions, or wet conditions.
- Do not submerge in water.
- Do not open this product or attempt to repair the unit yourself should it not be working.

#### In the Box

- CWCLKLED - Alarm Clock (x1)
- Instruction Manual (x1)

## Location of Controls



## Getting Started

### Installing Batteries

Using a small screwdriver (*not included*), unscrew the battery compartment screw on the bottom of the clock. Remove the cover.

Insert 3 new AAA-sized batteries (*not included*) following the polarity diagram (+/-) in the compartment. The flat ends of the batteries should be against the springs in the compartment. Do not mix old and new batteries, or mix different types or brands of battery.

Replace the cover. Tighten the screw. The time should appear on the clock display after batteries are installed.

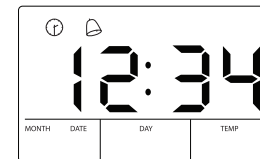
### Using the LED Lights

- Press the [LED] button to turn the LED lights and clock display backlight ON and OFF, and cycle through different light modes.
- At any time, press and hold the [LED] button for 1 second to power the lights OFF.

### Reading the Display

The display will show clock time by default. The “⌚” icon will appear in the upper left corner in this mode. Press the [MODE] button to switch between clock time, alarm time, birthday time, and timer displays.

- Starting from the default clock time display, press the [MODE] button once to view the 12-hour AM/PM or 24-hour clock setting. Press the [UP] button to toggle between the two.
- Press the [MODE] button a 2nd time to view the alarm time display. The “🔔” icon by itself when showing the alarm time.
- Press the [MODE] button a 3rd time to show birthday display. No icon will appear when showing birthday time & date.
- Press the [MODE] button a 4th time to view the timer display. The word “TIMER” will appear when showing the timer display.
- Press the [MODE] button a 5th time to return to clock time display.



The current temperature will be shown in the lower right of the display.

- Press the [°C/°F] button to toggle between Fahrenheit and Celsius temperature display.

### Setting the Time & Date

1. From default clock time display (“⌚” icon is displayed), first press the [MODE] button. Select 12- or 24-hour time display using the [UP] or [DOWN] button. Press the [SET] button to save and enter clock setting mode. The hour digits of the clock time will begin blinking.
2. Adjust the hour digit using the [UP] and [DOWN] buttons.
3. Press [SET] again to save the hour digit. The minute digits will begin blinking. Repeat the above steps to set the minute, year, month and date.
4. Once you are finished setting the time & date, the clock will return to blinking the 12- or 24-hour time display setting. Press the [MODE] button **4 times** to return to default clock time display.

### Setting the Alarm

1. From default clock time display, press the [MODE] button **twice** to enter alarm time display mode (the “🔔” icon will be displayed by itself). Then, press the [SET] button. The alarm hour digits will begin blinking.
2. Adjust the hour digit using the [UP] and [DOWN] buttons.
3. Press [SET] again to save the hour digit. The minute digits will begin blinking. Repeat the above steps to set the alarm minute digits, and select the alarm ring tone you would like to use.
4. The display will return to alarm time display mode once you press [SET] to save the alarm ring tone. Press the [MODE] button **3 times** to return to default clock time display.