

# Brookstone®

Brookstone® trademark, name and logos are trademarks of BKST Brand Holdings LLC and used under license.  
Manufactured and Marked by Southern Telecom, Inc. under license.

Southern Telecom  
Brooklyn, NY 11220

Model No.: BSSK9069

Designed in US  
Printed in China  
v1. 08-2021

# Brookstone®

## HOUSEPARTY

Dual Tripod and Wireless Karaoke Speakers



### TABLE OF CONTENTS

Compliance Information.....	1
Before You Begin...	
Additional Warnings.....	3
In the Box.....	3
Location of Controls.....	4
Getting Started	
Charging the Speaker.....	5
Powering ON/OFF.....	5
TWS Pairing.....	5
Changing Input Modes.....	6
Adjusting Volume & Playback.....	6
Connecting with Bluetooth.....	6
Using the Speaker Lights.....	7
Using the FM Radio.....	7
Connecting to an AUX Device.....	7
USB Device and TF Card Input.....	8
Using the Microphone.....	8
Unfolding the Tripod.....	9
Adjusting the Tripod's Height.....	10
Mounting the Speaker.....	10
Warranty Information.....	11

All product names, trademarks, and registered trademarks are property of their respective owners. All company, product, and service names used in this document are for identification purposes only. Use of these names, trademarks, and brands does not imply endorsement.

The Bluetooth® word mark and logos are registered trademarks owned by Bluetooth SIG, Inc., used under license.

## Warranty (cont'd)

NO WARRANTIES, WHETHER EXPRESS OR IMPLIED, INCLUDING, BUT NOT LIMITED TO, ANY IMPLIED WARRANTIES OF MERCHANTABILITY OR FITNESS FOR A PARTICULAR PURPOSE, OTHER THAN THOSE EXPRESSLY DESCRIBED ABOVE SHALL APPLY. DISTRIBUTOR FURTHER DISCLAIMS ALL WARRANTIES AFTER THE EXPRESS WARRANTY PERIOD STATED ABOVE. NO OTHER EXPRESS WARRANTY OR GUARANTY GIVEN BY ANY PERSON, FIRM OR ENTITY WITH RESPECT TO THE PRODUCT SHALL BE BINDING ON DISTRIBUTOR. REPAIR, REPLACEMENT, OR REFUND OF THE ORIGINAL PURCHASE PRICE - AT DISTRIBUTOR'S SOLE DISCRETION - ARE THE EXCLUSIVE REMEDIES OF THE CONSUMER. IN NO EVENT WILL DISTRIBUTOR OR ITS MANUFACTURERS BE LIABLE FOR ANY INCIDENTAL, DIRECT, INDIRECT, SPECIAL, PUNITIVE OR CONSEQUENTIAL DAMAGES (SUCH AS, BUT NOT LIMITED TO, DAMAGES FOR LOSS OF PROFITS, BUSINESS, SAVINGS, DATA OR RECORDS) CAUSED BY THE USE, MISUSE OR INABILITY TO USE THE PRODUCT. EXCEPT AS STATED HEREIN, NO OTHER WARRANTIES SHALL APPLY. NOTWITHSTANDING THE FOREGOING, CONSUMER'S RECOVERY AGAINST DISTRIBUTOR SHALL NOT EXCEED THE PURCHASE PRICE OF THE PRODUCT SOLD BY DISTRIBUTOR. THIS WARRANTY SHALL NOT EXTEND TO ANYONE OTHER THAN THE ORIGINAL CONSUMER WHO PURCHASED THE PRODUCT AND IS NOT TRANSFERABLE.

Some countries, states or provinces do not allow the exclusion or limitation of incidental or consequential damages or allow limitations on warranties, so limitation or exclusions may not apply to you. This warranty gives you specific legal rights, and you may have other rights that vary from state to state or province to province. Contact your authorized retailer to determine if another warranty applies.

## FCC Information

This device complies with Part 15 of the FCC Rules.

**Caution:** Any changes or modifications not expressly approved could void the user's authority to operate the equipment.

**Note:** This equipment has been tested and found to comply with the limits for a Class B digital device, pursuant to part 15 of the FCC Rules. These limits are designed to provide reasonable protection against harmful interference in a residential installation. This equipment generates, uses and can radiate radio frequency energy and, if not installed and used in accordance with the instructions, may cause harmful interference to radio communications. However, there is no guarantee that interference will not occur in a particular installation. If this equipment does cause harmful interference to radio or television reception, which can be determined by turning the equipment off and on, the user is encouraged to try to correct the interference by one or more of the following measures:

- Reorient or relocate the receiving antenna.
- Increase the separation between the equipment and receiver.
- Connect the equipment into an outlet on a circuit different from that to which the receiver is connected.
- Consult the dealer or an experienced radio/TV technician for help.

This device complies with Part 15 of the FCC Rules. Operation is subject to the following two conditions: (1) This device may not cause harmful interference, and (2) this device must accept any interference received, including interference that may cause undesired operation.

## Radiation Exposure Information

This device has been evaluated to meet general RF exposure requirements. The device can be used in portable exposure conditions without restriction.


## LITHIUM POLYMER BATTERY WARNINGS

This device contains a non-removable Lithium-Polymer battery. The battery must be recycled or disposed of properly. Contact your local waste management office for information on battery recycling or disposal.




## Rating Label Definitions

== Direct current symbol.

 This symbol signifies the product must not be discarded as household waste, and should be delivered to an appropriate collection facility for recycling. Proper disposal and recycling helps protect natural resources, human health and the environment.

 This symbol signifies and declares that this equipment has battery charging which complies with California CEC and energy efficiency.

 This symbol signifies that this is a wireless device powered by Bluetooth® technology. The Bluetooth® word mark and logos are registered trademarks owned by Bluetooth SIG, Inc., used under license.



## Warranty Information

### 90-Day Limited Warranty

Territory: United States/Canada

### LIMITED WARRANTY TO ORIGINAL CONSUMER

This product as supplied and distributed new by an authorized retailer is warranted by Southern Telecom, Inc. to the original consumer purchaser against defects in materials and workmanship ("Warranty") as follows:

#### To obtain warranty service:

- Visit our customer support portal: [www.customersupport123.com](http://www.customersupport123.com)
- Select the brand and model of your device
- Select "Service Request" and fill out the form to begin your inquiry
- Exchanges require dated proof of purchase from an authorized retailer

Your product will be repaired or replaced, at our option, for the same or similar model of equal value if examination by the service center determines this product is defective. Products received damaged as a result of shipping will require you to file a claim with the carrier.

#### Warranty service not provided

This warranty does not cover damage resulting from accident, misuse, abuse, improper installation or operation, lack of reasonable care, unauthorized modification including software modifications such as the installation of custom firmware. This warranty is voided in the event any unauthorized person opens, alters or repairs this product. All products being returned to the authorized service center for repair must be suitably packaged.

## Adjusting the Tripod's Height

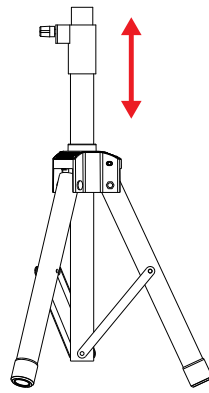
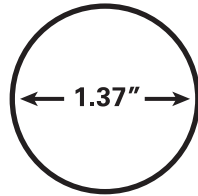
1. Turn the thumb screw handle on the upper part of the tripod's center column **counterclockwise** until loose.
2. Raise or lower the adjustable rod to the desired height.
3. Turn the thumb screw handle **clockwise** until tight to secure.

## Mounting the Speaker

Unfold the tripod and adjust to the desired height. Mount the hole on the bottom of the speaker onto the rod of the tripod.

Turn the thumb screw handle on the speaker clockwise until tight to secure the speaker.

**NOTE:** The maximum diameter of the speaker's mounting hole is 1.37 inches.



## Before You Begin...

### READ THIS MANUAL CAREFULLY AND SAVE FOR FUTURE REFERENCE

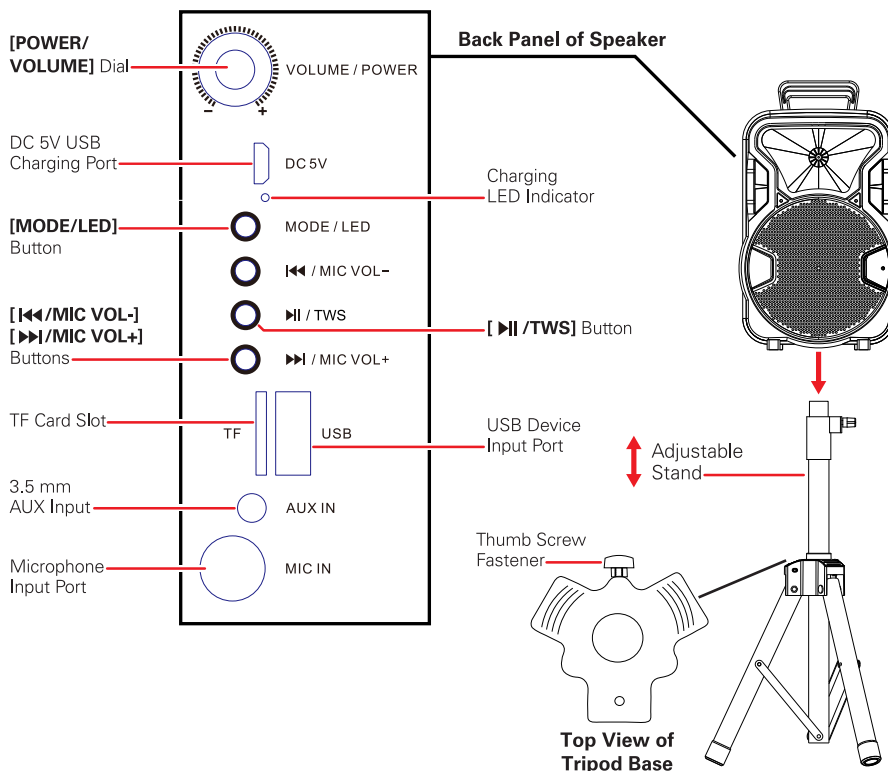
To ensure safe and proper use, read all safety information before using the device. Only use with manufacturer-approved batteries, chargers, accessories, and supplies.

- **THIS DEVICE IS NOT A TOY**, do NOT allow children or pets to use or play with this device.
- **Do not disassemble, modify, or repair the device.**
- Do not expose the device to extreme temperatures (heat or cold), open flames, wet, or humid conditions.
- **Do not submerge in water.**
- Low power may cause poor Bluetooth connection or sound distortion.
- Do not overcharge battery.
- If using with a USB adapter, make sure the adapter is not damaged.
- Do not allow the USB port or the connectors of the supplied USB cable to be exposed to dust, or water, or come into contact with any conductive materials such as liquids, metallic powders, etc.
- This device contains a built-in battery and should not be disposed of with regular household waste. Please consult the local authorities on the correct way to dispose of this device.

## In the Box

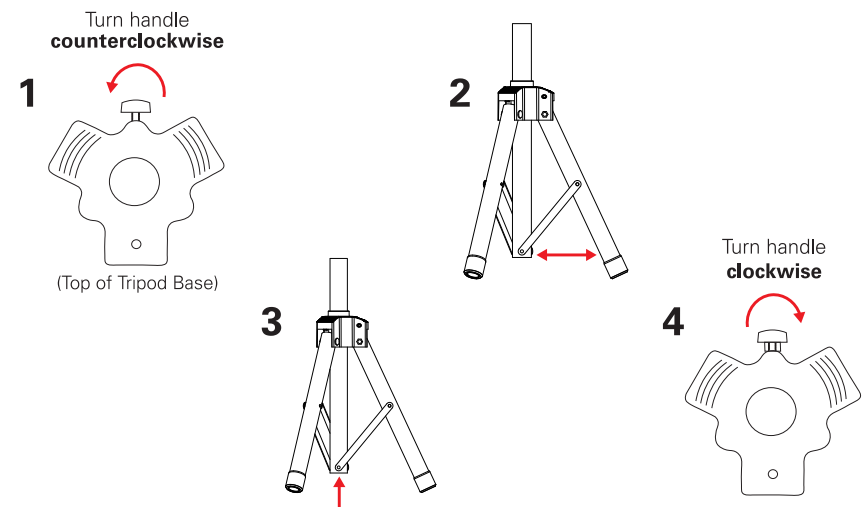
- BSSK9069 - Wireless Speaker (x2)
- Tripod (x2)
- Wired Microphone (x2)
- Micro-USB Charging Cable (x2)
- Instruction Manual (x1)

## Location of Controls



## Unfolding the Tripod

1. Turn the thumb screw handle on the tripod base **counterclockwise** until the tripod is able to open.
2. Holding the center column firmly in one hand, grip and carefully pull one of the legs outward until the tripod begins to unfold, and the center column slides up.
3. Push the center column up until the tripod is fully opened and the center column cannot be pushed up any more.
4. Turn the thumb screw handle clockwise until tight.



## USB Device and TF Card Input

Insert a USB device, such as a USB flash drive, or micro SD/TF card into the USB or TF card input ports on the back of the speaker.

**Note:** To listen to music on your USB device, you may need to have files stored in the root folder of the device. Check your USB device's manufacturer information for more details.

If the speaker does not automatically switch to the correct mode, press the **[MODE/LED]** button until you enter USB or TF card mode. A voice will be heard indicating the mode, and the speaker will automatically begin playing music off the device.

In USB and TF mode, playback and volume adjustment will be controlled with controls on the back panel of the speaker.

## Using the Microphone

Plug the 1/4" connector of the included microphone into the MIC input port on the back of the speaker. Switch the mic ON.

- Adjust mic volume using the **[◀◀/MIC VOL-]** and **[▶▶/MIC VOL+]** buttons on the back of the speaker.

**Note:** In order to avoid loud feedback, keep the microphone behind the speaker and pointed away from the speaker, and switch the microphone off when not in use.

## Charging the Speaker

Plug the micro-USB connector (smaller) of the included charging cable into the micro-USB port on the back of the speaker. Plug the USB connector (larger) into a USB power source, or into a **5V USB charging adapter** (*not included*) and plug into a wall outlet.

The LED indicator will **turn RED** while charging and turn GREEN when fully charged. On low power, a tone will be periodically heard, indicating that the speaker should be charged.

## Powering ON/OFF

- Turn the **[POWER/VOLUME]** dial clockwise until it clicks to power ON. A tone will be heard and the speaker will enter Bluetooth pairing mode.
- If both speakers are powered ON at the same time, they will automatically pair to each other, then enter Bluetooth pairing mode.
- Turn the **[POWER/VOLUME]** dial counterclockwise until it clicks to power OFF.



## TWS Pairing

Power both speakers ON at the same time. After a moment, they will pair to each other automatically, and a tone will be heard indicating that they have paired.

- **Press + hold** the **[▶||]** button to disconnect/reconnect the TWS pairing.

## Changing Input Modes

Press the **[MODE/LED]** button on the back panel of the speaker to switch between input modes. A voice will be heard indicating the mode.

You must have a micro TF card or USB device inserted or AUX cable connected to switch to these modes.

## Adjusting Volume & Playback

- Adjust volume with the **[POWER/VOLUME]** dial or the controls on a connected device.
- Press the **[◀◀/MIC VOL-]** and **[▶▶/MIC VOL+]** buttons on the speaker to skip tracks or stations in Bluetooth mode, FM Radio mode, USB mode and TF card mode.
- Press the **[▶||]** button to pause and resume playback.

## Connecting with Bluetooth

1. Power one or both speakers ON. If using both speakers, wait for the speakers to pair to each other before attempting to pair to your device.
2. Set your mobile device to search for Bluetooth devices. When it appears, select **BSSK9069** from the list of found devices.
3. After a successful pairing, a tone will be heard and you will be able to play music.

In Bluetooth mode, playback and volume can be controlled by your paired device or the controls on the back of the speaker.

## Using the Speaker Lights

The LED lights will automatically turn on when the speaker is powered on.

- **Press + hold** the **[MODE/LED]** button on the back of the speaker to turn the LED lights ON/OFF.

## Using the FM Radio

Power the speaker ON and switch to FM mode.

If it is your first time using the FM radio, it's recommended to do a full scan of nearby stations. Press the **[▶||]** button to start scanning and saving available stations.

Radio functions can be controlled with the buttons on the speaker.

- Press the **[▶||]** button to start or stop scanning.
- Press the **[◀◀]** and **[▶▶]** buttons to flip through saved stations.

## Connecting to an AUX Device

Insert one connector of a 3.5 mm auxiliary cable (*not included*) into the 3.5 mm auxiliary input jack on the back of the speaker. Insert the other connector into the headphone jack or audio output jack of your media-playing device.

In AUX mode, all playback will be controlled by your connected device.