

All product names, trademarks, and registered trademarks are property of their respective owners. All company, product, and service names used in this document are for identification purposes only. Use of these names, trademarks, and brands does not imply endorsement.

The Bluetooth® word mark and logos are registered trademarks owned by Bluetooth SIG, Inc., used under license.

Brookstone® trademark, name and logos are trademarks of BKST Brand Holdings LLC and used under license.
Manufactured and Marked by Southern Telecom, Inc. under license.

Southern Telecom
Brooklyn, NY 11220

Model No.: BSSK9065

1-877-668-4839 (Toll Free)
Monday - Friday: 8AM - 10PM (EST)

Brookstone®

SonicTower

Wireless Party Speaker



TABLE OF CONTENTS

Compliance Information.....	1
Before You Begin...	
Additional Warnings.....	3
In the Box.....	3
Getting Started	
Location of Controls.....	4
Connecting to Power.....	6
Turning ON/OFF.....	6
Switching Input Modes.....	6
Bluetooth Pairing.....	7
Adjusting Playback & Volume.....	7
Using with a Wired Device.....	8
Using the USB Input.....	8
Using the USB Power Output.....	9
Using Microphones.....	9
Using the LED Lights.....	10
Using the Remote Control.....	11
Using Mega Bass, EQ & Tone.....	11
Warranty Information.....	12

Warranty (cont'd)

NO WARRANTIES, WHETHER EXPRESS OR IMPLIED, INCLUDING, BUT NOT LIMITED TO, ANY IMPLIED WARRANTIES OF MERCHANTABILITY OR FITNESS FOR A PARTICULAR PURPOSE, OTHER THAN THOSE EXPRESSLY DESCRIBED ABOVE SHALL APPLY. DISTRIBUTOR FURTHER DISCLAIMS ALL WARRANTIES AFTER THE EXPRESS WARRANTY PERIOD STATED ABOVE. NO OTHER EXPRESS WARRANTY OR GUARANTY GIVEN BY ANY PERSON, FIRM OR ENTITY WITH RESPECT TO THE PRODUCT SHALL BE BINDING ON DISTRIBUTOR. REPAIR, REPLACEMENT, OR REFUND OF THE ORIGINAL PURCHASE PRICE - AT DISTRIBUTOR'S SOLE DISCRETION - ARE THE EXCLUSIVE REMEDIES OF THE CONSUMER. IN NO EVENT WILL DISTRIBUTOR OR ITS MANUFACTURERS BE LIABLE FOR ANY INCIDENTAL, DIRECT, INDIRECT, SPECIAL, PUNITIVE OR CONSEQUENTIAL DAMAGES (SUCH AS, BUT NOT LIMITED TO, DAMAGES FOR LOSS OF PROFITS, BUSINESS, SAVINGS, DATA OR RECORDS) CAUSED BY THE USE, MISUSE OR INABILITY TO USE THE PRODUCT. EXCEPT AS STATED HEREIN, NO OTHER WARRANTIES SHALL APPLY. NOTWITHSTANDING THE FOREGOING, CONSUMER'S RECOVERY AGAINST DISTRIBUTOR SHALL NOT EXCEED THE PURCHASE PRICE OF THE PRODUCT SOLD BY DISTRIBUTOR. THIS WARRANTY SHALL NOT EXTEND TO ANYONE OTHER THAN THE ORIGINAL CONSUMER WHO PURCHASED THE PRODUCT AND IS NOT TRANSFERABLE.

Some countries, states or provinces do not allow the exclusion or limitation of incidental or consequential damages or allow limitations on warranties, so limitation or exclusions may not apply to you. This warranty gives you specific legal rights, and you may have other rights that vary from state to state or province to province. Contact your authorized retailer to determine if another warranty applies.

Warranty Information

1-Year Limited Warranty
Territory: United States/Canada

LIMITED WARRANTY TO ORIGINAL CONSUMER

This product (including any accessories included in the original packaging) as supplied and distributed new by an authorized retailer is warranted by Southern Telecom, Inc. to the original consumer purchaser against defects in materials and workmanship ("Warranty") as follows:

To obtain warranty service:

- Visit our website at www.southerntelecom.com
- Click on **Product Support**
- Select the **Brand** of your device
- Select **Service Request** and fill out the form to begin your inquiry

Or call the Customer Support number below

1-877-668-4839 (Toll Free)
Monday - Friday: 8AM - 10PM (EST)

Your product will be repaired or replaced, at our option, for the same or similar model of equal value if examination by the service center determines this product is defective. Products received damaged as a result of shipping will require you to file a claim with the carrier.

Warranty service not provided

This warranty does not cover damage resulting from accident, misuse, abuse, improper installation or operation, lack of reasonable care, unauthorized modification including software modifications such as the installation of custom firmware. This warranty is voided in the event any unauthorized person opens, alters or repairs this product. All products being returned to the authorized service center for repair must be suitably packaged.

FCC Information

This device complies with Part 15 of the FCC Rules.

Caution: Any changes or modifications not expressly approved could void the user's authority to operate the equipment.

Note: This equipment has been tested and found to comply with the limits for a Class B digital device, pursuant to part 15 of the FCC Rules. These limits are designed to provide reasonable protection against harmful interference in a residential installation. This equipment generates, uses and can radiate radio frequency energy and, if not installed and used in accordance with the instructions, may cause harmful interference to radio communications. However, there is no guarantee that interference will not occur in a particular installation. If this equipment does cause harmful interference to radio or television reception, which can be determined by turning the equipment off and on, the user is encouraged to try to correct the interference by one or more of the following measures:

- Reorient or relocate the receiving antenna.
- Increase the separation between the equipment and receiver.
- Connect the equipment into an outlet on a circuit different from that to which the receiver is connected.
- Consult the dealer or an experienced radio/TV technician for help.

This device complies with Part 15 of the FCC Rules. Operation is subject to the following two conditions: (1) This device may not cause harmful interference, and (2) this device must accept any interference received, including interference that may cause undesired operation.

Rating Label Definitions

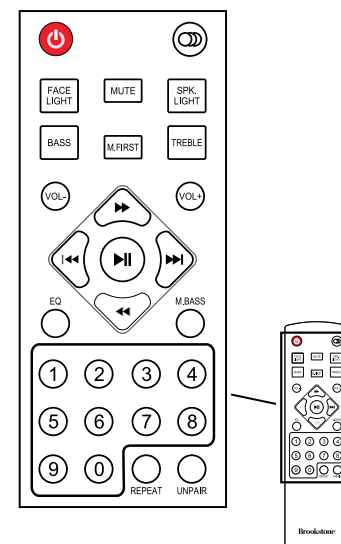
— — — Direct current symbol.



This symbol signifies that this is a wireless device powered by Bluetooth® technology. The Bluetooth® word mark and logos are registered trademarks owned by Bluetooth SIG, Inc., used under license.

Using the Remote Control

- **[⏻]** Button: Enter or leave standby
- **[⏮]** Button: Switch input mode
- **[FACE LIGHT]** Button: Press to switch face light mode, *press + hold* to turn face lights ON/OFF
- **[MUTE]** Button: Mute or unmute audio
- **[SPK. LIGHT]** Button: Press to switch speaker light mode, *press + hold* to turn speaker lights ON/OFF
- **[BASS]** Button: Adjust bass
- **[M.FIRST]** Button: Turn mic priority ON/OFF
- **[TREBLE]** Button: Adjust treble
- **[VOL-]** and **[VOL+]** Buttons: Adjust volume
- **[⏸]** Button: Pause and resume playback
- **[⏮]** and **[⏭]** Buttons: Skip tracks
- **[⏩]** and **[⏪]** Buttons: Fast forward or backward
- **[EQ]** Button: Switch between EQ modes
- **[M.BASS]** Button: Turn Mega Bass ON/OFF
- **[0-9]** Number Buttons: Select a track
- **[REPEAT]** Button: Repeat one or all tracks
- **[UNPAIR]** Button: Disconnect a Bluetooth pairing



Using Mega Bass, EQ & Tone

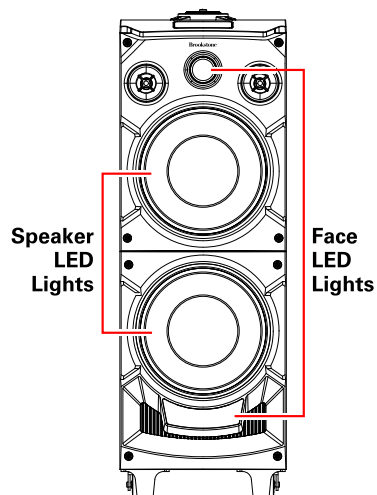
You can adjust the speaker's sound by using the buttons on the speaker or the remote control.

- Press the **[Mega Bass]** button on the speaker or the **[M.BASS]** button on the remote control to turn Mega Bass ON or OFF. The speaker's LED screen will display "Bass" or "Off."
- Press the **[EQ]** button on the speaker or remote control to switch between EQ modes such as Rock, Pop and Jazz. The LED display will show the current EQ mode.
- Press the **[Tone]** button on the speaker to switch between adjusting volume (V), bass (B) and treble (T) and use the **[Volume]** dial to adjust, or use the **[BASS]**, **[TREBLE]** and **[EQ]** buttons on the remote control. The LED display will show the mode or level.

Using the LED Lights

The LED lights will automatically turn ON when the speaker is powered on.

- Press the [*** Speaker**] button on the speaker or the [**SPK. LIGHT**] button on the remote control to flip through speaker LED light modes. Multiple LED modes will react to the beat of your music. For best results, turn up the volume.
- Press and hold the [*** Speaker**] button to turn the speaker LED lights ON or OFF.
- Press the [*** Face**] button on the speaker or the [**FACE LIGHT**] button on the remote control to flip through face LED light modes.
- Press and hold the [*** Face**] button to turn the face LED lights ON or OFF.



10

Before You Begin...

READ THIS MANUAL CAREFULLY AND SAVE FOR FUTURE REFERENCE

To ensure safe and proper use, read all safety information before using the device. Only use with manufacturer-approved batteries, chargers, accessories, and supplies.

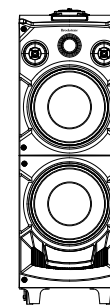
- **THIS DEVICE IS NOT A TOY**, do NOT allow children or pets to use or play with this device.
- **Do not disassemble, modify, or repair the device.**
- Do not expose the device to extreme temperatures (heat or cold), open flames, humid, or wet conditions.
- **Do not submerge in water.**
- Do not allow any of the ports on the speaker or any of the connectors of the supplied power adapter or cables to be exposed to dust or water, or come into contact with any conductive materials such as liquids, metallic powders, etc.

Questions & Customer Support

For any issues concerning this product, please visit our website at SouthernTelecom.com and click on **Product Support**.

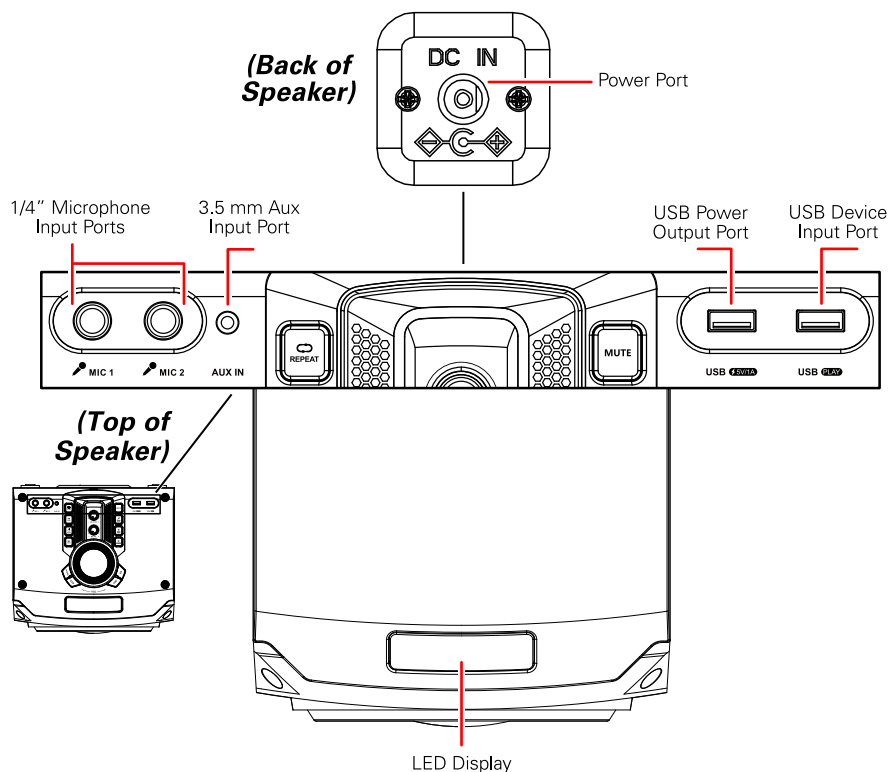
In the Box

- BSSK9065 - **Wireless Speaker** (x1)
- AC Adapter (x1)
- Remote Control (x1)
- Instruction Manual (x1)



3

Location of Controls



4

Using the USB Power Output

Plug the USB connector of your device's charging cable (*not included*) into the USB power output port on the speaker. Your device will begin charging when the speaker is powered ON or leaves standby mode, and will stop charging when the speaker is powered OFF or enters standby mode.

Using Microphones

Plug the 1/4" connector of the wired microphone into one of the microphone input ports on the top of the speaker. Switch the mic ON.

- Adjust mic echo or volume using the [**MIC ECHO**] and [**MIC VOL**] dials on the speaker.
- Adjust microphone echo using the [**Echo**] dial on the speaker.
- Adjust overall speaker volume with the [**Volume**] dial on the speaker or the [**VOL-**] and [**VOL+**] buttons on the remote control.
- Press the [**FIRST**] button on the speaker or the [**M.FIRST**] button on the remote control to turn Microphone Priority ON or OFF. When Mic Priority is on, the speaker will automatically lower the music when you sing into the microphone.

Note: In order to avoid loud feedback, keep the microphones behind the speaker and pointed away from the speaker, and switch them off when not in use.

9

Using with a Wired Device

Plug one end of a 3.5 mm aux cable (*not included*) into the 3.5 mm AUX port on the top of the speaker. Plug the other end into the headphone jack or audio output port on your device.

If the speaker does not automatically switch to AUX input, switch to AUX input using the **[⏻/M]** button on the speaker or the **[🔊]** button on the remote control.

In AUX mode, all functions will be controlled by the your connected device.

Using the USB Input

Insert a USB device into the USB device input port on the speaker. The speaker will automatically switch to USB input mode. The LED screen will indicate USB mode, and the speaker will automatically begin playing music off the device.

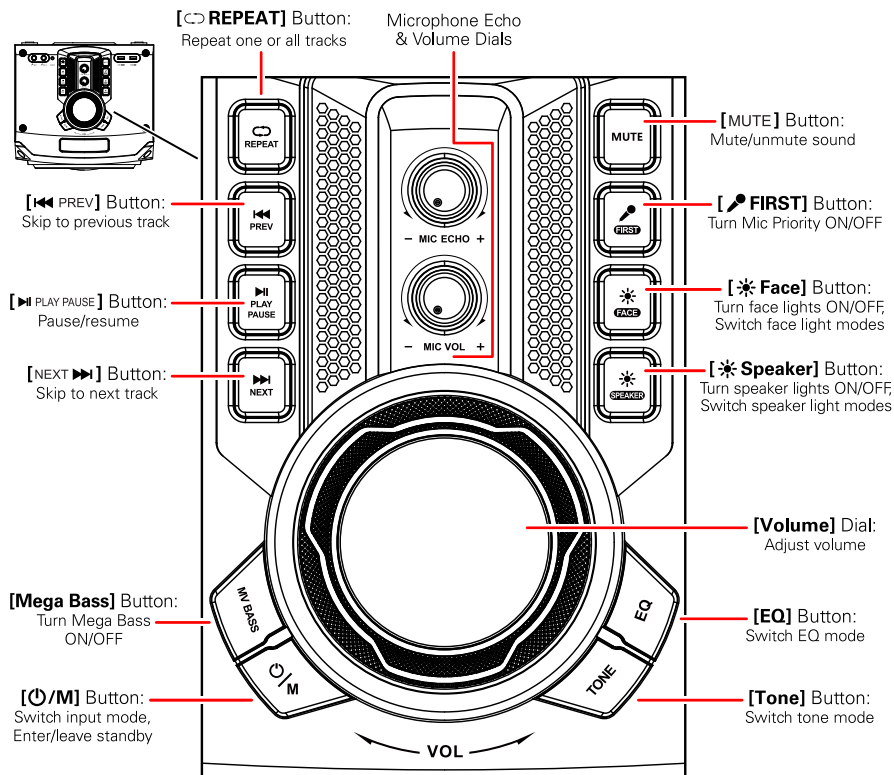
Note: To listen to music on your USB device, you may need to have files stored in the root folder of the device. Check your USB device's manufacturer information for more details.

In USB mode, all functions will be controlled with controls on the speaker.

- Skip tracks using the **[⏮ PREV]** and **[NEXT ⏭]** buttons on the speaker or the **[⏮]** and **[⏭]** buttons on the remote control.
- Pause and resume playback using the **[⏮ PLAY PAUSE]** button on the speaker or the **[⏮]** button on the remote control.
- Repeat one track or all tracks using the **[🔁 REPEAT]** button on the speaker or the **[REPEAT]** button on the remote control.

8

Location of Controls (cont'd)



5

Connecting to Power

Plug the pin of the included power adapter into the power port on the back of the speaker. Plug the other end into an electrical socket. When the speaker is connected to power, it will enter standby mode.

Turning ON/OFF

Connect the speaker to power.

- To exit standby mode, press the **[⏻/M]** button on the speaker or the **[⏻]** button on the remote control.
- To enter standby mode, press and hold the **[⏻/M]** button on the speaker or press the **[⏻]** button on the remote control.

Switching Input Modes

Press the **[⏻/M]** button on the speaker or the **[🔊]** button on the remote control to switch between input modes. The speaker's LED screen will indicate the current input mode. You must have a USB device inserted or a 3.5 mm auxiliary cable connected to switch to USB or AUX input mode.

6

Bluetooth Pairing

1. Power the speaker ON. The speaker will enter Bluetooth pairing mode and the LED screen will display **"bt."**
2. Set your mobile device to search for Bluetooth devices. When it appears, select **BSSK9065** from the list of found devices.
3. After a successful pairing, a voice will be heard and you will be able to play music on the speaker.

In Bluetooth mode, volume and playback can be adjusted with your paired device, or with the controls on the speaker or remote control listed below.

- To skip tracks, press the **[⏮ PREV]** and **[NEXT ⏭]** buttons on the speaker or the **[⏮]** and **[⏭]** buttons on the remote control.
- To pause and resume playback, press the **[⏮ PLAY PAUSE]** button on the speaker or the **[⏮]** button on the remote control.
- Press and hold the **[⏮ PLAY PAUSE]** button on the speaker or press the **[UNPAIR]** button on the remote control to disconnect a Bluetooth pairing. A voice will be heard, and the speaker will re-enter Bluetooth mode.

Adjusting Playback & Volume

- Use the **[⏮ PREV]** and **[NEXT ⏭]** buttons on the speaker and **[⏮]** and **[⏭]** buttons on the remote control to skip tracks in Bluetooth and USB modes.
- In Bluetooth and USB modes, press the **[⏮ PLAY PAUSE]** and **[⏮]** button to play and pause.
- Skip tracks and play/pause in AUX mode using your connected device.
- In all modes, volume can be adjusted with the **[Volume]** dial on the speaker.
- In Bluetooth and AUX modes, volume can also be adjusted with the controls on your connected device.
- In any mode, press the **[MUTE]** button on the speaker or remote control to mute and unmute audio.

7