

All product names, trademarks, and registered trademarks are property of their respective owners. All company, product, and service names used in this document are for identification purposes only. Use of these names, trademarks, and brands does not imply endorsement.

The Bluetooth® word mark and logos are registered trademarks owned by Bluetooth SIG, Inc., used under license.

Brookstone® trademark, name and logos are trademarks of BKST Brand Holdings LLC and used under license.
Manufactured and Marked by Southern Telecom, Inc. under license.

Southern Telecom
Brooklyn, NY 11220

Model No.: BSSK9027

Designed in US
Printed in China
v1. 10-2021

Brookstone®

AQUABEAT

Wireless IPX6 LED Speaker



TABLE OF CONTENTS

Compliance Information.....	1
Before You Begin...	
Additional Warnings.....	3
In the Box.....	3
Getting Started	
Location of Controls.....	4
Charging the Speaker.....	5
Using in Wet Conditions.....	5
Powering ON/OFF.....	5
TWS Pairing Two Speakers.....	6
Bluetooth Pairing.....	6
Using the LED Lights.....	6
Adjusting Volume & Playback.....	7
Phone Functions.....	7
Storage & Maintenance.....	7
Warranty Information.....	8

Warranty (cont'd)

NO WARRANTIES, WHETHER EXPRESS OR IMPLIED, INCLUDING, BUT NOT LIMITED TO, ANY IMPLIED WARRANTIES OF MERCHANTABILITY OR FITNESS FOR A PARTICULAR PURPOSE, OTHER THAN THOSE EXPRESSLY DESCRIBED ABOVE SHALL APPLY. DISTRIBUTOR FURTHER DISCLAIMS ALL WARRANTIES AFTER THE EXPRESS WARRANTY PERIOD STATED ABOVE. NO OTHER EXPRESS WARRANTY OR GUARANTY GIVEN BY ANY PERSON, FIRM OR ENTITY WITH RESPECT TO THE PRODUCT SHALL BE BINDING ON DISTRIBUTOR. REPAIR, REPLACEMENT, OR REFUND OF THE ORIGINAL PURCHASE PRICE - AT DISTRIBUTOR'S SOLE DISCRETION - ARE THE EXCLUSIVE REMEDIES OF THE CONSUMER. IN NO EVENT WILL DISTRIBUTOR OR ITS MANUFACTURERS BE LIABLE FOR ANY INCIDENTAL, DIRECT, INDIRECT, SPECIAL, PUNITIVE OR CONSEQUENTIAL DAMAGES (SUCH AS, BUT NOT LIMITED TO, DAMAGES FOR LOSS OF PROFITS, BUSINESS, SAVINGS, DATA OR RECORDS) CAUSED BY THE USE, MISUSE OR INABILITY TO USE THE PRODUCT. EXCEPT AS STATED HEREIN, NO OTHER WARRANTIES SHALL APPLY. NOTWITHSTANDING THE FOREGOING, CONSUMER'S RECOVERY AGAINST DISTRIBUTOR SHALL NOT EXCEED THE PURCHASE PRICE OF THE PRODUCT SOLD BY DISTRIBUTOR. THIS WARRANTY SHALL NOT EXTEND TO ANYONE OTHER THAN THE ORIGINAL CONSUMER WHO PURCHASED THE PRODUCT AND IS NOT TRANSFERABLE.

Some countries, states or provinces do not allow the exclusion or limitation of incidental or consequential damages or allow limitations on warranties, so limitation or exclusions may not apply to you. This warranty gives you specific legal rights, and you may have other rights that vary from state to state or province to province. Contact your authorized retailer to determine if another warranty applies.

Warranty Information

90-Day Limited Warranty

Territory: United States/Canada

LIMITED WARRANTY TO ORIGINAL CONSUMER

This product as supplied and distributed new by an authorized retailer is warranted by Southern Telecom, Inc. to the original consumer purchaser against defects in materials and workmanship ("Warranty") as follows:

To obtain warranty service:

- Visit our customer support portal: www.customersupport123.com
- Select the brand and model of your device
- Select "Service Request" and fill out the form to begin your inquiry
- Exchanges require dated proof of purchase from an authorized retailer

Your product will be repaired or replaced, at our option, for the same or similar model of equal value if examination by the service center determines this product is defective. Products received damaged as a result of shipping will require you to file a claim with the carrier.

Warranty service not provided

This warranty does not cover damage resulting from accident, misuse, abuse, improper installation or operation, lack of reasonable care, unauthorized modification including software modifications such as the installation of custom firmware. This warranty is voided in the event any unauthorized person opens, alters or repairs this product. All products being returned to the authorized service center for repair must be suitably packaged.

FCC Information

This device complies with Part 15 of the FCC Rules.

Caution: Any changes or modifications not expressly approved could void the user's authority to operate the equipment.

Note: This equipment has been tested and found to comply with the limits for a Class B digital device, pursuant to part 15 of the FCC Rules. These limits are designed to provide reasonable protection against harmful interference in a residential installation. This equipment generates, uses and can radiate radio frequency energy and, if not installed and used in accordance with the instructions, may cause harmful interference to radio communications. However, there is no guarantee that interference will not occur in a particular installation. If this equipment does cause harmful interference to radio or television reception, which can be determined by turning the equipment off and on, the user is encouraged to try to correct the interference by one or more of the following measures:

- Reorient or relocate the receiving antenna.
- Increase the separation between the equipment and receiver.
- Connect the equipment into an outlet on a circuit different from that to which the receiver is connected.
- Consult the dealer or an experienced radio/TV technician for help.

This device complies with Part 15 of the FCC Rules. Operation is subject to the following two conditions: (1) This device may not cause harmful interference, and (2) this device must accept any interference received, including interference that may cause undesired operation.

LITHIUM POLYMER BATTERY WARNINGS

This device contains a non-removable Lithium-Polymer battery. The battery must be recycled or disposed of properly. Contact your local waste management office for information on battery recycling or disposal.



Rating Label Definitions

— — — Direct current symbol.



This symbol signifies that this is a wireless device powered by Bluetooth® technology. The Bluetooth® word mark and logos are registered trademarks owned by Bluetooth SIG, Inc., used under license.



This symbol signifies that the product must not be discarded as household waste, and should be delivered to an appropriate collection facility for recycling. Proper disposal and recycling helps protect natural resources, human health and the environment.



This symbol signifies and declares that this equipment complies with battery charging which complies with California CEC and energy efficiency.

Adjusting Volume & Playback

When paired to a Bluetooth device, volume and playback can be adjusted with your paired device, or with the speaker controls listed below.

- Press the [-] and [+] buttons to skip tracks.
- Press and hold the [-] and [+] buttons to adjust volume.
- Press the [O] button to pause and resume playback.

Phone Functions

When paired to a Bluetooth device, you can control phone functions with your paired device, or with the speaker controls listed below.

- Press the [O] button to answer an incoming phone call.
- Press the [O] button to end a phone call.
- Press and hold the [O] button to reject an incoming call and sent straight to voicemail.
- 2x press the [O] button to redial the last outgoing number.

Storage & Maintenance

The speaker should be cleaned by wiping the outside surface with a damp cloth only.

The speaker is best stored in an airtight box or bag (*not included*) away from sources of dust, wind, moisture and sunlight. For best results, fully charge the speaker once a month, even if it is not being used.

TWS Pairing Two Speakers

If you have two BSSK9027 speakers, you can make a True Wireless (TWS) pairing between them by following the below steps.

1. Place the two speakers near each other, and power both ON at the same time.
2. 3x press the [O] button on one of the speakers.
3. The speakers should pair to each other automatically. The LED indicator on one of the speakers will **quickly flash BLUE**, and the LED indicator on the other speaker will **slowly flash BLUE**.
4. Follow the Bluetooth Pairing instructions below to connect your device to the speaker pair.

Note: If you have previously paired your device to one of the speakers, you may need to turn its Bluetooth off while you pair the speakers to each other.

Bluetooth Pairing

1. Power the speaker ON. A tone will be heard and the LED indicator will **flash GREEN**.
2. Set your mobile device to search for Bluetooth devices. When it appears, select **BSSK9027** from the list of found devices.
3. After a successful pairing, a tone will be heard and the LED indicator will **turn solid GREEN**. When playing music, the LED indicator will slowly flash GREEN.

Using the LED Lights

When the speaker is powered ON, the LED lights will turn on and begin cycling through different colors.

Before You Begin...

READ THIS MANUAL CAREFULLY AND SAVE FOR FUTURE REFERENCE

To ensure safe and proper use, read all safety information before using the device. Only use with manufacturer-approved batteries, chargers, accessories, and supplies.

- **THIS DEVICE IS NOT A TOY**, do NOT allow children or pets to use or play with this device.
- **Do not disassemble, modify, or repair the device.**
- Do not expose the device to extreme temperatures (heat or cold), open flames, wet, or humid conditions.
- **Do not submerge in water.** See the **Using in Wet Conditions** section before using in wet conditions.
- Low power may cause poor Bluetooth connection or sound distortion.
- Do not overcharge battery.
- Check device, accessories and cables regularly for damage. Do NOT use if damaged, contact manufacturer.
- Do not allow the USB port or the connectors of the supplied USB cable to be exposed to dust, or water, or come into contact with any conductive materials such as liquids, metallic powders, etc.
- This device contains a built-in battery and should not be disposed of with regular household waste. Please consult the local authorities on the correct way to dispose of this device.

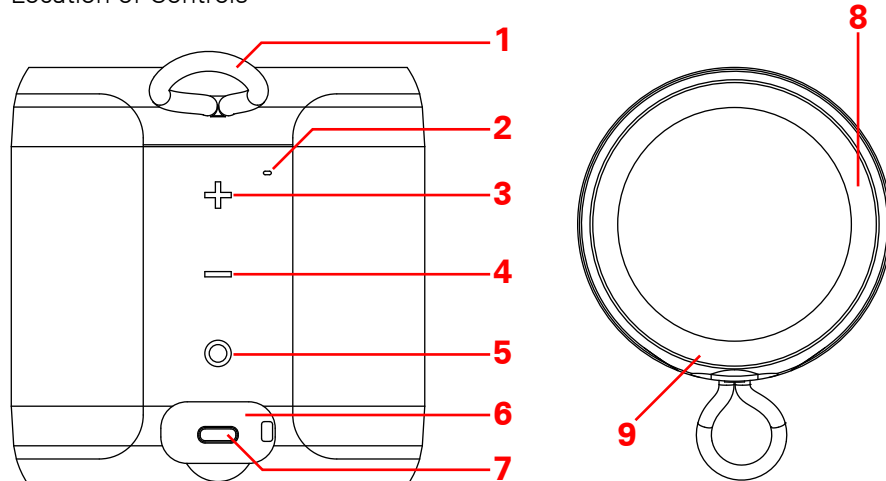
Questions & Customer Support

For any issues concerning this product, please visit our website at customersupport123.com.

In the Box

- BSSK9027 - Wireless Speaker (x1)
- USB Charging Cable (x1)
- Instruction Manual (x1)

Location of Controls



1. Carrying Loop
2. Microphone
3. [+] Button:
Press: Skip to next track
Press + hold: Increase volume
4. [-] Button:
Press: Skip to previous track
Press + hold: Decrease volume

5. [O] Button:
Press: Play/pause, answer/end call
2x Press: Redial last outgoing number
3x Press: TWS pair 2 speakers
Press + hold: Reject incoming call
Press + hold: Power ON/OFF
6. Protective Rubber Seal
7. USB Type-C Charging Port
8. LED Light
9. LED Indicator

Charging the Speaker

Note: If you have been using the speaker in wet conditions, you **must** dry it off completely before unsealing the water-resistant cover to charge.

Undo the seal covering the charging port on the speaker. Plug the small connector of the included charging cable into the charging port. Plug the large connector into a USB power source such as a **5V/1A USB power adapter**.

The LED indicator on the top of the speaker will **light up ORANGE** while charging and turn OFF when fully charged.

On lower power, a tone will be heard indicating that the speaker needs to be recharged.

Using in Wet Conditions

The BSSK9027 speaker has an **IPX6** rating. This means it can withstand water splashes from any direction, but **should not be submerged in water under any circumstances**.

Be sure to completely seal the water-resistant cover over the charging port before taking the speaker in wet conditions, and dry the speaker off completely before opening the seal to charge.

Powering ON/OFF

- Press and hold the [O] button on the top of the speaker for **3 seconds** to power ON. A tone will be heard and the speaker will automatically re-pair to a previously-paired device in range. If no device is found after 3 seconds, the speaker will enter Bluetooth pairing mode.
- Press and hold the [O] button for **3 seconds** to power OFF.