

Brookstone

Brookstone® trademark, name and logos are trademarks of BKST Brand Holdings LLC and used under license.
Manufactured and Marked by Southern Telecom, Inc. under license.

Southern Telecom
Brooklyn, NY 11220

Model No.: BSSK1750

Brookstone

CHROMABEAT

17.5" Multimedia Sound Bar



TABLE OF CONTENTS

Compliance Information.....	1
Before You Begin...	
Additional Warnings.....	3
In the Box.....	3
Location of Controls.....	4
Getting Started	
Charging the Soundbar.....	5
Powering ON/OFF.....	5
Adjusting Volume.....	6
Adjusting Playback.....	6
Changing Input Modes.....	6
Bluetooth Pairing.....	6
Using the AUX Input.....	7
Using the Phone Functions.....	7
Using a TF Card or USB Device.....	8
Using the FM Radio.....	8
Using the LED Lights.....	8
Warranty Information.....	10

Printed in China
v1. 03-2022

All product names, trademarks, and registered trademarks are property of their respective owners. All company, product, and service names used in this document are for identification purposes only. Use of these names, trademarks, and brands does not imply endorsement.

The Bluetooth® word mark and logos are registered trademarks owned by Bluetooth SIG, Inc., used under license.

FCC Information

This device complies with Part 15 of the FCC Rules.

Caution: Any changes or modifications not expressly approved could void the user's authority to operate the equipment.

Note: This equipment has been tested and found to comply with the limits for a Class B digital device, pursuant to part 15 of the FCC Rules. These limits are designed to provide reasonable protection against harmful interference in a residential installation. This equipment generates, uses and can radiate radio frequency energy and, if not installed and used in accordance with the instructions, may cause harmful interference to radio communications. However, there is no guarantee that interference will not occur in a particular installation. If this equipment does cause harmful interference to radio or television reception, which can be determined by turning the equipment off and on, the user is encouraged to try to correct the interference by one or more of the following measures:

- Reorient or relocate the receiving antenna.
- Increase the separation between the equipment and receiver.
- Connect the equipment into an outlet on a circuit different from that to which the receiver is connected.
- Consult the dealer or an experienced radio/TV technician for help.

This device complies with Part 15 of the FCC Rules. Operation is subject to the following two conditions: (1) This device may not cause harmful interference, and (2) this device must accept any interference received, including interference that may cause undesired operation.

Radiation Exposure Information

This device has been evaluated to meet general RF exposure requirements. The device can be used in portable exposure conditions without restriction.

LITHIUM POLYMER BATTERY WARNINGS

This device contains a non-removable Lithium-Polymer battery. The battery must be recycled or disposed of properly. Contact your local waste management office for information on battery recycling or disposal.



Rating Label Definitions

--- Direct current symbol.



This symbol signifies the product must not be discarded as household waste, and should be delivered to an appropriate collection facility for recycling. Proper disposal and recycling helps protect natural resources, human health and the environment.



This symbol signifies and declares that this equipment has battery charging which complies with California CEC and energy efficiency.



This symbol signifies that this is a wireless device powered by Bluetooth® technology. The Bluetooth® word mark and logos are registered trademarks owned by Bluetooth SIG, Inc., used under license.



This symbol represents FCC Declaration of Conformity and compliance.



Warranty (cont'd)

NO WARRANTIES, WHETHER EXPRESS OR IMPLIED, INCLUDING, BUT NOT LIMITED TO, ANY IMPLIED WARRANTIES OF MERCHANTABILITY OR FITNESS FOR A PARTICULAR PURPOSE, OTHER THAN THOSE EXPRESSLY DESCRIBED ABOVE SHALL APPLY. DISTRIBUTOR FURTHER DISCLAIMS ALL WARRANTIES AFTER THE EXPRESS WARRANTY PERIOD STATED ABOVE. NO OTHER EXPRESS WARRANTY OR GUARANTY GIVEN BY ANY PERSON, FIRM OR ENTITY WITH RESPECT TO THE PRODUCT SHALL BE BINDING ON DISTRIBUTOR. REPAIR, REPLACEMENT, OR REFUND OF THE ORIGINAL PURCHASE PRICE - AT DISTRIBUTOR'S SOLE DISCRETION - ARE THE EXCLUSIVE REMEDIES OF THE CONSUMER. IN NO EVENT WILL DISTRIBUTOR OR ITS MANUFACTURERS BE LIABLE FOR ANY INCIDENTAL, DIRECT, INDIRECT, SPECIAL, PUNITIVE OR CONSEQUENTIAL DAMAGES (SUCH AS, BUT NOT LIMITED TO, DAMAGES FOR LOSS OF PROFITS, BUSINESS, SAVINGS, DATA OR RECORDS) CAUSED BY THE USE, MISUSE OR INABILITY TO USE THE PRODUCT. EXCEPT AS STATED HEREIN, NO OTHER WARRANTIES SHALL APPLY. NOTWITHSTANDING THE FOREGOING, CONSUMER'S RECOVERY AGAINST DISTRIBUTOR SHALL NOT EXCEED THE PURCHASE PRICE OF THE PRODUCT SOLD BY DISTRIBUTOR. THIS WARRANTY SHALL NOT EXTEND TO ANYONE OTHER THAN THE ORIGINAL CONSUMER WHO PURCHASED THE PRODUCT AND IS NOT TRANSFERABLE.

Some countries, states or provinces do not allow the exclusion or limitation of incidental or consequential damages or allow limitations on warranties, so limitation or exclusions may not apply to you. This warranty gives you specific legal rights, and you may have other rights that vary from state to state or province to province. Contact your authorized retailer to determine if another warranty applies.

Warranty Information

90-day Limited Warranty
Territory: United States/Canada

LIMITED WARRANTY TO ORIGINAL CONSUMER

This product (including any accessories included in the original packaging) as supplied and distributed new by an authorized retailer is warranted by Southern Telecom, Inc. to the original consumer purchaser against defects in materials and workmanship ("Warranty") as follows:

To obtain warranty service:

- Visit our customer support portal: www.customersupport123.com
- Select the brand and model of your device
- Select **Service Request** and fill out the form to begin your inquiry
- Exchanges require dated proof of purchase from an authorized retailer

Your product will be repaired or replaced, at our option, for the same or similar model of equal value if examination by the service center determines this product is defective. Products received damaged as a result of shipping will require you to file a claim with the carrier.

Warranty service not provided

This warranty does not cover damage resulting from accident, misuse, abuse, improper installation or operation, lack of reasonable care, unauthorized modification including software modifications such as the installation of custom firmware. This warranty is voided in the event any unauthorized person opens, alters or repairs this product. All products being returned to the authorized service center for repair must be suitably packaged.

Before You Begin...

READ THIS MANUAL CAREFULLY AND SAVE FOR FUTURE REFERENCE

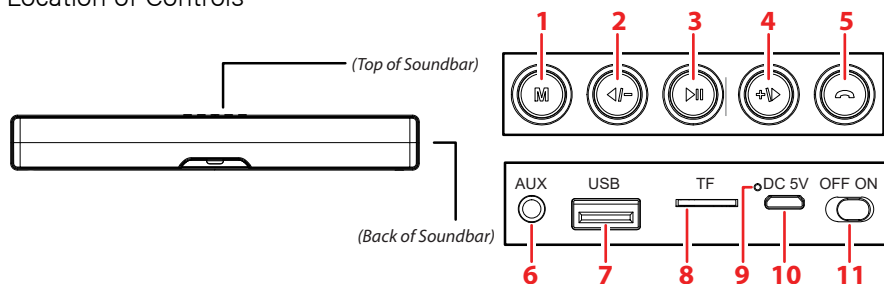
To ensure safe and proper use, read all safety information before using the device. Only use with manufacturer-approved batteries, chargers, accessories, and supplies.

- **THIS DEVICE IS NOT A TOY**, do NOT allow children or pets to use or play with this device.
- **Do not disassemble, modify, or repair the device.**
- Do not expose the device to extreme temperatures (heat or cold), open flames, humid, or wet conditions.
- **Do not submerge in water.**
- Low power may cause poor Bluetooth connection or sound distortion.
- Do not overcharge battery.
- If using with a USB adapter, make sure the adapter is not damaged.
- Do not allow the USB port or the connectors of the supplied USB cable to be exposed to dust, or water, or come into contact with any conductive materials such as liquids, metallic powders, etc.
- This device contains a built-in battery and should not be disposed of with regular household waste. Please consult the local authorities on the correct way to dispose of these devices.

In the Box

- BSSK1750 - Wireless Speaker (x1)
- Micro-USB Charging Cable (x1)
- Instruction Manual (x1)

Location of Controls



1. [M] Button
(Press) Change input mode
(Press +Hold) Turn LED Lights ON/OFF

2. [< /-] Button
(Press) Skip to previous track
(Press +Hold) Lower volume

3. [> /+] Button
(Press) Pause/resume playback,
Scan & save FM stations

4. [> /+] Button
(Press) Skip to next track
(Press +Hold) Raise volume

5. [☎] Button
(Press) Answer/end phone call
(Press +Hold) Transfer call to connect-
ed device

6. 3.5 mm Auxiliary Input Port

7. USB Device Input Port

8. TF Card Slot

9. LED Indicator

10. DC 5V Charging Port

11. [Power] Switch

Using a TF Card or USB Device

To insert a TF card, insert a TF card into the TF card input port on the soundbar with the metal contacts facing down, and push in until it clicks.

To insert a USB device, such as a USB flash drive containing audio files, insert the USB device into the USB device port on the back of the soundbar. You may need to have the audio files stored in the root folder of the flash drive to listen on the soundbar.

Change input modes until you enter TF or USB mode. The soundbar will automatically begin playing music off the device. Note: You must have a TF card or USB device inserted to switch to TF or USB input mode.

In TF card and USB mode, all playback is controlled by the buttons on the soundbar.

- Press the [⏸] button to pause and resume playback.
- Press the [⏭] and [⏮] buttons to skip tracks.

Using the FM Radio

Change input modes until you enter FM radio mode.

In FM radio mode, all playback will be controlled by the buttons on the soundbar.

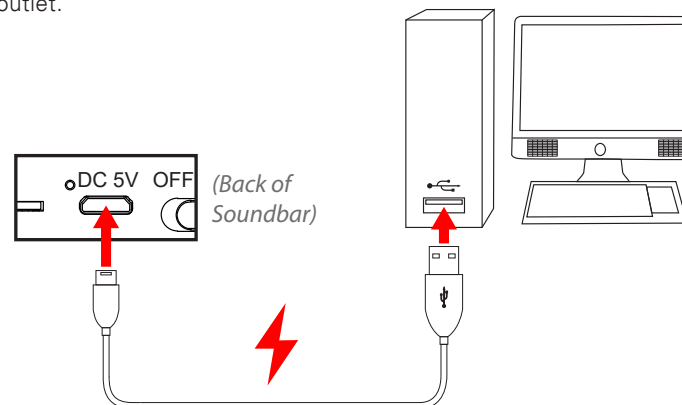
- Press the [⏸] button to start or stop automatically scanning & saving available radio stations. If it is not stopped, the radio will make a complete scan of and save all nearby radio stations with good reception.
- Press the [⏭] and [⏮] buttons to skip through saved stations.

Using the LED Lights

- Press and hold the [M] button to power the soundbar's built-in LED lights ON or OFF.

Charging the Soundbar

Plug the micro-USB (small) connector of the included USB charging cable into the DC 5V charging port on the back of the soundbar. Plug the USB (larger) connector into a USB power port, or into a compatible 5V USB adapter (not included) and plug into a wall outlet.



The charging LED indicator will turn RED while charging and turn OFF when fully charged. When the soundbar is low on power, a tone will be heard indicating that it needs to be recharged.

Powering ON/OFF

- Move the [Power] switch on the back of the soundbar to power ON and OFF.
- When powered ON, the soundbar will enter Bluetooth pairing mode, and may automatically re-pair to any available previously-paired device nearby.

Adjusting Volume

In all modes, overall volume can be adjusted with the buttons on the top of the soundbar. In AUX and Bluetooth modes, volume can also be controlled by your connected device.

- Press + hold the [⏭] button to increase volume.
- Press + hold the [⏮] button to decrease volume.

Adjusting Playback

In Bluetooth, FM Radio, TF and USB modes, playback can be controlled by the buttons on the top of the soundbar.

- Press the [⏸] button to pause playback. Press again to resume.
- Press the [⏭] button to skip to the next track/station.
- Press the [⏮] button to skip to the previous track/station.

Changing Input Modes

Press the [M] button on the top of the soundbar to switch input modes.

A TF card or USB device must be inserted or connected to switch to these modes.

Bluetooth Pairing

1. Power the soundbar ON. A tone will be heard and the soundbar will enter Bluetooth pairing mode. The LED indicator will turn solid BLUE.
2. Set your mobile device to search for Bluetooth devices. When the list appears, select **BSSK1750** from the found devices.
3. After a successful pairing, a tone will be heard and you will be able to play music on the soundbar.

In Bluetooth mode, playback and volume can be adjusted with your paired device or the controls on the soundbar listed below.

- Press the [⏸] to pause playback. Press again to resume.
- Press the [⏭] button to skip to the next track/station.
- Press the [⏮] button to skip to the previous track/station.

Using the AUX Input

Insert one connector of a 3.5 mm auxiliary cable (not included) into the 3.5 mm auxiliary input port on the back of the soundbar. Insert the other connector into the headphone jack or 3.5 mm AUX output port on your media-playing device.

If the soundbar doesn't automatically switch to AUX mode, press the [M] button to switch input modes until you reach AUX mode.

In AUX mode, all playback will be controlled by your connected device.

Using the Phone Functions

When the soundbar is Bluetooth-paired to a device with phone functions, you can use these phone functions through the speaker with the controls on the soundbar listed below.

- Press the [📞] button to answer or end a call.
- Press and hold the [📞] button to transfer the call back to your connected device.