

Brookstone®

Brookstone® trademark, name and logos are trademarks of BKST Brand Holdings LLC and used under license.
Manufactured and Marked by Southern Telecom, Inc. under license.

Southern Telecom
Brooklyn, NY 11220

Model No.: BSSK1048

1-888-550-9121 (Toll Free)
Monday - Friday: 8AM - 10PM (EST)

Brookstone®

TOWERBOOST

Wireless Tower Speaker



TABLE OF CONTENTS

Compliance Information.....	1
Before You Begin...	
Additional Warnings.....	3
In the Box.....	3
Location of Controls.....	4
Location of Controls - Remote Control.....	5
Getting Started	
Installing the Base.....	6
Powering the Speaker.....	6
Using the Lights.....	6
Adjusting Volume.....	7
Changing Input Modes.....	7
Bluetooth Pairing.....	7
Using the AUX Cable.....	8
Using the FM Radio.....	8
Warranty Information.....	9

Designed in the US
Printed in China
v1. 10-2020

All product names, trademarks, and registered trademarks are property of their respective owners. All company, product, and service names used in this document are for identification purposes only. Use of these names, trademarks, and brands does not imply endorsement.

The Bluetooth® word mark and logos are registered trademarks owned by Bluetooth SIG, Inc., used under license.

FCC Information

This device complies with Part 15 of the FCC Rules.

Caution: Any changes or modifications not expressly approved could void the user's authority to operate the equipment.

Note: This equipment has been tested and found to comply with the limits for a Class B digital device, pursuant to part 15 of the FCC Rules. These limits are designed to provide reasonable protection against harmful interference in a residential installation. This equipment generates, uses and can radiate radio frequency energy and, if not installed and used in accordance with the instructions, may cause harmful interference to radio communications. However, there is no guarantee that interference will not occur in a particular installation. If this equipment does cause harmful interference to radio or television reception, which can be determined by turning the equipment off and on, the user is encouraged to try to correct the interference by one or more of the following measures:


- Reorient or relocate the receiving antenna.
- Increase the separation between the equipment and receiver.
- Connect the equipment into an outlet on a circuit different from that to which the receiver is connected.
- Consult the dealer or an experienced radio/TV technician for help.


This device complies with Part 15 of the FCC Rules. Operation is subject to the following two conditions: (1) This device may not cause harmful interference, and (2) this device must accept any interference received, including interference that may cause undesired operation.

Radiation Exposure Information

This device has been evaluated to meet general RF exposure requirements. The device can be used in portable exposure conditions without restriction.

Rating Label Definitions

 Direct current symbol.

 This symbol signifies that this is a wireless device powered by Bluetooth® technology. The Bluetooth® word mark and logos are registered trademarks owned by Bluetooth SIG, Inc., used under license.

 This symbol represents FCC Declaration of Conformity and compliance.

Warranty (cont'd)

NO WARRANTIES, WHETHER EXPRESS OR IMPLIED, INCLUDING, BUT NOT LIMITED TO, ANY IMPLIED WARRANTIES OF MERCHANTABILITY OR FITNESS FOR A PARTICULAR PURPOSE, OTHER THAN THOSE EXPRESSLY DESCRIBED ABOVE SHALL APPLY. DISTRIBUTOR FURTHER DISCLAIMS ALL WARRANTIES AFTER THE EXPRESS WARRANTY PERIOD STATED ABOVE. NO OTHER EXPRESS WARRANTY OR GUARANTY GIVEN BY ANY PERSON, FIRM OR ENTITY WITH RESPECT TO THE PRODUCT SHALL BE BINDING ON DISTRIBUTOR. REPAIR, REPLACEMENT, OR REFUND OF THE ORIGINAL PURCHASE PRICE - AT DISTRIBUTOR'S SOLE DISCRETION - ARE THE EXCLUSIVE REMEDIES OF THE CONSUMER. IN NO EVENT WILL DISTRIBUTOR OR ITS MANUFACTURERS BE LIABLE FOR ANY INCIDENTAL, DIRECT, INDIRECT, SPECIAL, PUNITIVE OR CONSEQUENTIAL DAMAGES (SUCH AS, BUT NOT LIMITED TO, DAMAGES FOR LOSS OF PROFITS, BUSINESS, SAVINGS, DATA OR RECORDS) CAUSED BY THE USE, MISUSE OR INABILITY TO USE THE PRODUCT. EXCEPT AS STATED HEREIN, NO OTHER WARRANTIES SHALL APPLY. NOTWITHSTANDING THE FOREGOING, CONSUMER'S RECOVERY AGAINST DISTRIBUTOR SHALL NOT EXCEED THE PURCHASE PRICE OF THE PRODUCT SOLD BY DISTRIBUTOR. THIS WARRANTY SHALL NOT EXTEND TO ANYONE OTHER THAN THE ORIGINAL CONSUMER WHO PURCHASED THE PRODUCT AND IS NOT TRANSFERABLE.

Some countries, states or provinces do not allow the exclusion or limitation of incidental or consequential damages or allow limitations on warranties, so limitation or exclusions may not apply to you. This warranty gives you specific legal rights, and you may have other rights that vary from state to state or province to province. Contact your authorized retailer to determine if another warranty applies.

Before You Begin...

READ THIS ENTIRE MANUAL CAREFULLY AND SAVE FOR FUTURE REFERENCE

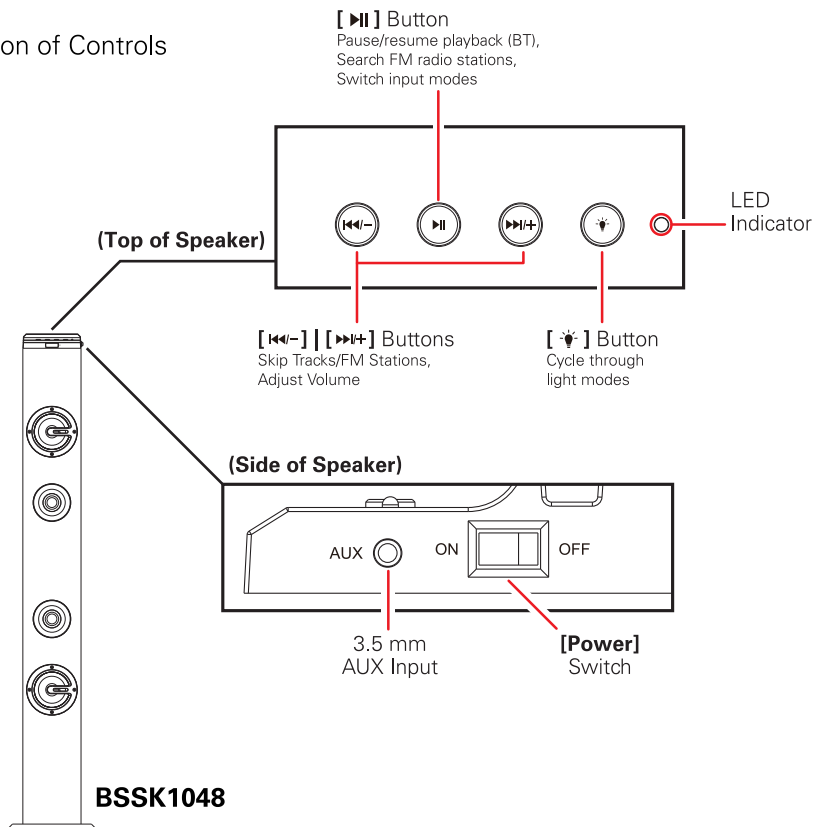
To ensure safe and proper use, read all safety information before using the device. Failure to follow instructions can result in injury, electric shock, or damage to the speaker or accessories. Use only with manufacturer-approved batteries, chargers, accessories, and supplies.

- **THIS DEVICE IS NOT A TOY**, do NOT allow children or pets to use or play with this device.
- **Do not disassemble, modify, or repair the device.**
- Do not expose the device to extreme temperatures (heat or cold), open flames, wet, or humid conditions.
- **Do not submerge in water.** Do not use near water.
- Do not allow any ports or connectors on the tower speaker or its accessories to be exposed to dust, or water, or come into contact with any conductive materials such as liquids, metallic powders, etc.

In the Box

- BSSK1048 - Tower Speaker (x1)
- UL Power Adapter (x1)
- Remote Control (x1)
- 3.5 mm Auxiliary Cable (x1)
- Wooden Base (x1)
- Base Screws (x2)
- Instruction Manual (x1)

Location of Controls



Warranty Information

90-day Limited Warranty

Territory: United States/Canada

LIMITED WARRANTY TO ORIGINAL CONSUMER

This product (including any accessories included in the original packaging) as supplied and distributed new by an authorized retailer is warranted by Southern Telecom, Inc. to the original consumer purchaser against defects in materials and workmanship ("Warranty") as follows:

To obtain warranty service:

- Visit our website at www.southerntelecom.com
- Click on **Product Support**
- Select the **Brand** of your device
- Select **Service Request** and fill out the form to begin your inquiry

Your product will be repaired or replaced, at our option, for the same or similar model of equal value if examination by the service center determines this product is defective. Products received damaged as a result of shipping will require you to file a claim with the carrier.

Warranty service not provided

This warranty does not cover damage resulting from accident, misuse, abuse, improper installation or operation, lack of reasonable care, unauthorized modification including software modifications such as the installation of custom firmware. This warranty is voided in the event any unauthorized person opens, alters or repairs this product. All products being returned to the authorized service center for repair must be suitably packaged.

Using the AUX Cable

Insert one connector of the included 3.5 mm audio cable into the 3.5 mm input jack. Insert the other connector into the headphone jack or audio output jack of your media playback device.

The LED indicator will **turn solid BLUE** while in use.

While connected via the 3.5 mm input jack, playback and volume can be adjusted with the controls on your connected device.

Using the FM Radio

1. Power the speaker ON. Extend the FM antenna cable on the back of the speaker toward an open window or an area with direct line of sight toward the sky.
2. Press and hold the [▶||] button on the speaker until the speaker switches to FM radio mode. The LED indicator will **turn solid BLUE**.
3. Press the [▶||] button on the speaker while in FM radio mode to have the speaker scan for FM radio stations. The speaker will scan for all nearby stations with a strong enough signal strength and save them as presets. While scanning, the LED indicator will **quickly flash BLUE**.

Once the speaker is done scanning and saving all nearby stations, you can skip through saved stations by pressing the [◀◀-] and [▶▶+] buttons on the speaker.

Location of Controls - Remote Control

[⏻] Button

- Enter/leave standby mode

[▶||] Button

- Play/pause (Bluetooth)
- Search FM stations (FM Radio)

[▶▶] Button

- Skip to next track (Bluetooth)
- Tune to next station (FM Radio)

[◀◀] Button

- Skip to previous track (Bluetooth)
- Tune to previous station (FM Radio)

[💡] Button

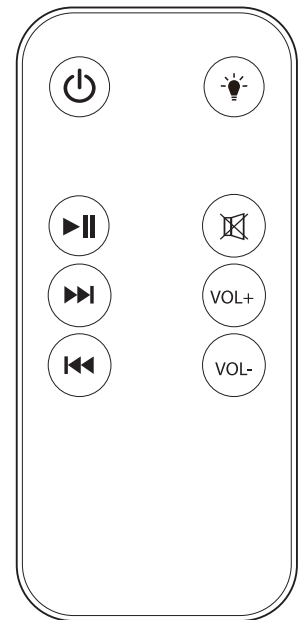
- Change light modes

[🔇] Button

- Mute/unmute volume

[VOL-] and [VOL+] Buttons

- Adjust volume

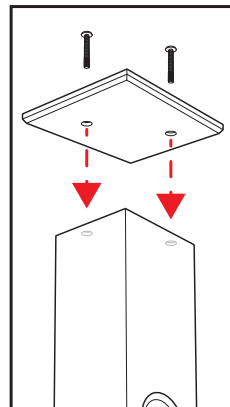


Installing the Base

1. Remove the speaker and contents from its packaging.
2. Carefully turn the speaker upside down and place the wooden base on the underside, aligning the screw holes on the base with the screw holes on the speaker.
3. Screw the base to the speaker with the supplied base screws.

When properly installed, the non-slip feet on the underside of the wood base should be touching the floor.

Caution: The speaker should be placed ONLY on a level, sturdy floor. Do NOT place on a table or other piece of furniture.



Powering the Speaker

Insert the pin of the supplied power adapter into the DC power jack on the back of the speaker. Plug the adapter into an electrical outlet.

- Move the [Power] switch to the ON position to power the speaker on. A tone will be heard, the lights will turn on, and the speaker will enter Bluetooth pairing mode.
- Move the [Power] switch to the OFF position to power the speaker off.
- Press the [⏻] button on the remote control to put the speaker into standby mode.

Using the Lights

- Press the [💡] button on the speaker or on the remote control to cycle through light modes.

Adjusting Volume

- Press and hold the [◀◀-] and [▶▶+] buttons on the speaker or press the [Vol+] and [Vol-] buttons on the remote control to adjust speaker volume.
- Press the [🔇] button on the remote control to mute/unmute volume.

Changing Input Modes

- Press and hold the [▶||] button on the speaker to switch between Bluetooth, AUX, and FM radio mode.
- The speaker will automatically switch to AUX mode when a 3.5 mm cable is inserted into the 3.5 mm AUX input.

Bluetooth Pairing

1. Power the speaker ON. A tone will be heard and the LED indicator will **quickly flash BLUE**.
2. Set your mobile device to search for Bluetooth devices. When it appears, select **BSSK1048** from the list of found devices.
3. After a successful pairing, a tone will be heard and the LED indicator will **slowly flash BLUE**.

Once paired, audio playback and volume can be adjusted via the controls below, on your paired media-playing device.

- Press the [▶||] button on the top of the speaker or on the remote control to pause/resume music playback.
- Press the [◀◀-] and [▶▶+] buttons on the speaker or the [◀◀] and [▶▶] buttons on the remote control to skip tracks.