

# Brookstone®

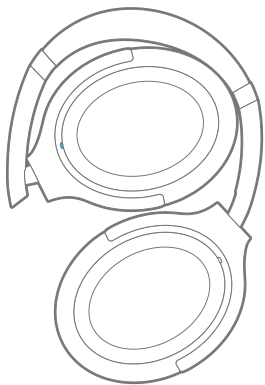
---

## airphones®

WIRELESS NOISE-CANCELLING HEADPHONES



## IN THE BOX



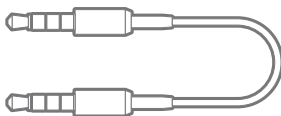
Wireless Headphones



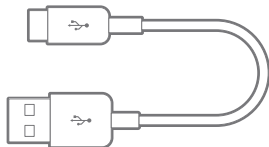
Carrying Case



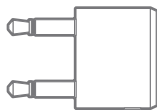
User Guide



3.5mm Audio Cable

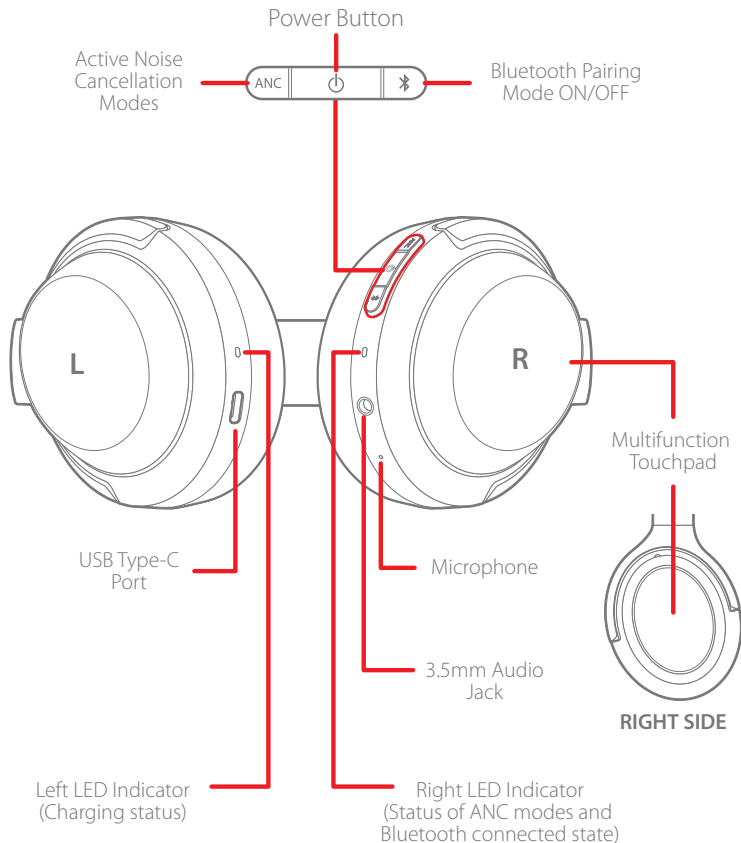


USB Type-C Cable



Airplane Adapter

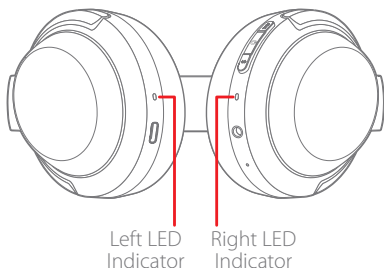
# LOCATION OF CONTROLS



## LED INDICATORS

The headphones include two LED indicators, the Right LED indicator and the Left LED indicator.

Both LED indicators are explained below.



### Right LED Indicator

#### Bluetooth

Pairing Mode	Flashes RED and BLUE
Connected	Slowly flashes BLUE (every 5 seconds)
Not Connected	Quickly flashes BLUE (every second)

#### ANC

Noise Cancelling	Solid GREEN
Ambient Sound	Solid WHITE
Ambient Sound and Noise Cancelling Off	Off

#### Battery

Low Battery	Flashes RED twice every 5 seconds
-------------	-----------------------------------

### Left LED Indicator

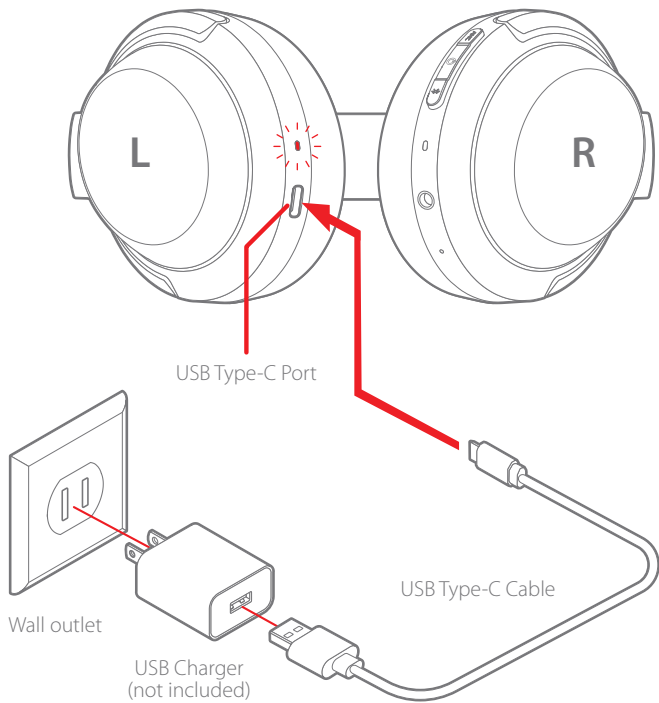
#### Charging

Charging	Solid RED
Fully Charged	Solid GREEN

## CHARGING

Insert the USB Type-C cable into the USB port of the headphones as shown below and connect the other end to any USB Charger or charging device. The Left LED indicator will turn solid RED while charging and become solid GREEN when fully charged.

While charging, the headphones cannot be powered on or used.



**Note:** When the battery is low, the Right LED indicator flashes red twice every 5 seconds and the "battery low" voice prompt will be heard.

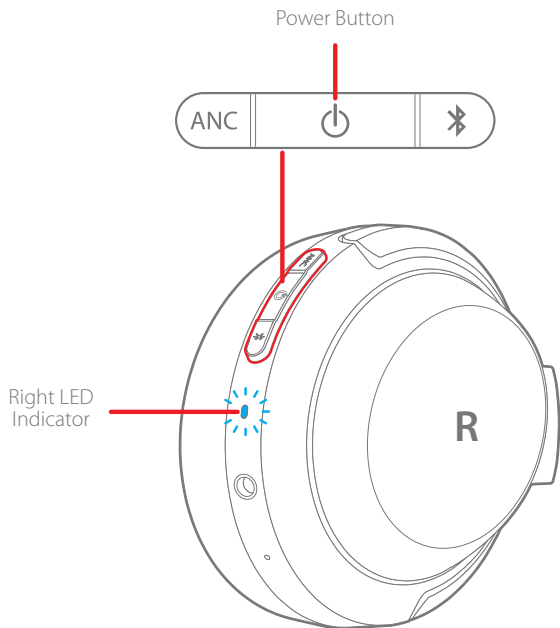
## POWER ON/OFF

### Power ON:

Press and **HOLD** the Power button until the Right LED indicator lights BLUE.

### Power OFF:

Press and **HOLD** the Power button until the Right LED indicator turns off.

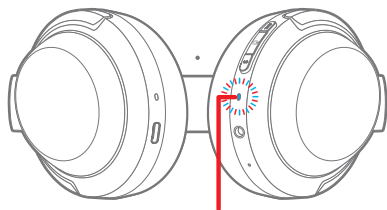


**Note:** If not connected to a Bluetooth enabled device, the headphones will automatically power off after 5 minutes.

## BLUETOOTH PAIRING

Power on the device and follow the steps below to pair your Bluetooth-enabled device.

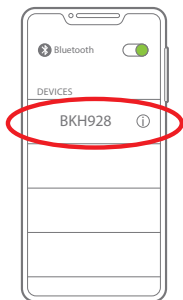
1. Press and **HOLD** the Bluetooth button until Right LED flashes red and blue, the voice prompt "Bluetooth pairing on" will be heard.



Right LED  
Indicator

To exit Bluetooth pairing mode, press and quickly release the Bluetooth button.

2. Open your device's Bluetooth menu.
3. Find and select **BKH928** to pair.



Bluetooth menu  
on your device



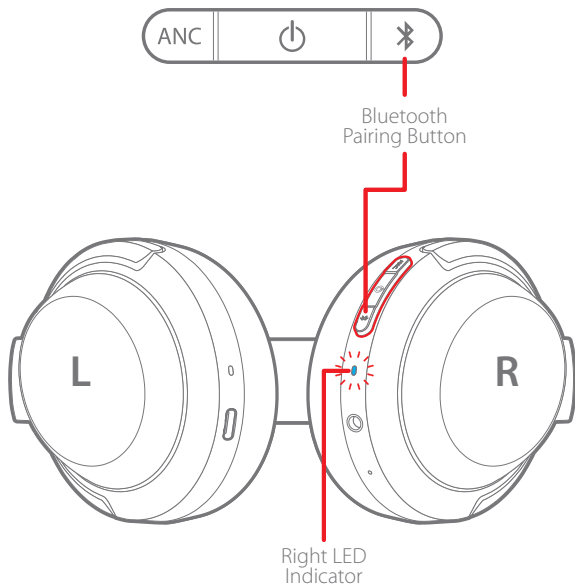
Wireless Headphones

4. Once paired, the voice prompt "Connected" will be heard and the Right LED indicator will flash BLUE every five seconds.

Bluetooth Profiles: A2DP V1.3, AVRCP V1.6, HFP V1.7, HSP V1.2

## Disconnecting

To disconnect from a device, press and **HOLD** the Bluetooth Pairing Button until the Right LED indicator flashes RED and BLUE, the voice prompt “Bluetooth pairing on” will be heard. You can now pair the headphones to another device.



**Note:** This feature is handy to quickly pair the headphones to another Bluetooth enabled device.



## ANC (ACTIVE NOISE CANCELLATION) MODES

The ANC modes offer 3 different listening experiences. Press the ANC button to cycle through the different modes below.

### 1. Noise Cancelling (NC) Mode: ● LED

This mode isolates your listening experience specifically to sound coming through the headphones and helps blocking unwanted outside noise.

**NC mode** is automatically activated by default when the headphones are powered on. When **NC mode** is active, the Right LED indicator of the headphones turns solid GREEN.

### 2. Ambient Sound Mode: ○ LED

**Ambient mode** allows you to listen to the sounds around you through the built-in microphones even while wearing the headphones.

To enter **Ambient mode**, press the ANC button once and the voice prompt “Ambient sound” is heard, the Right LED indicator of the headphones will turn solid WHITE.

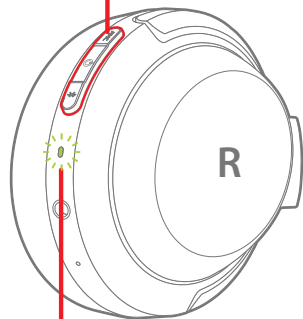
**Note:** **Ambient mode** allows you to hear background noise clearer, such as important announcements and street traffic. However, certain sounds may not be heard well depending on the environment. Be cautious in places where an inability to hear ambient sound would be dangerous.

### 3. Ambient Sound and NC OFF: ⊗ LED OFF

Press the ANC button twice and the voice prompt “Ambient sound and noise cancelling off” is heard, the Right LED indicator will turn off.

To turn **NC mode** back on, press the ANC button again.

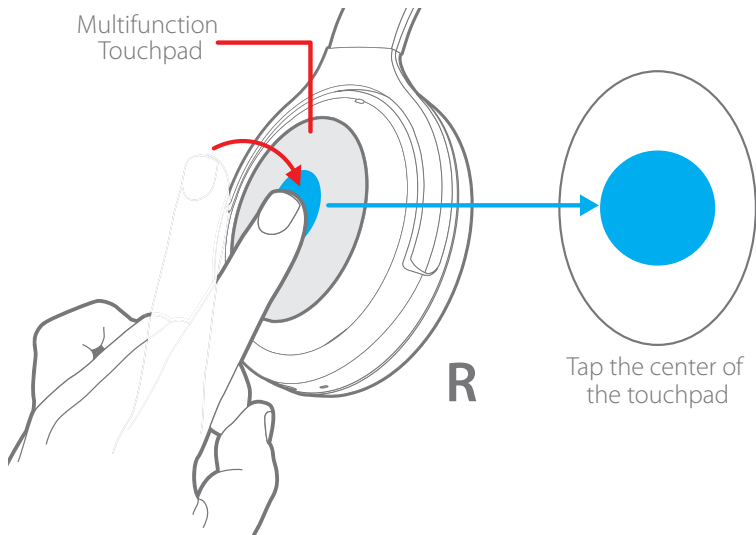
ANC Button



Right LED Indicator

## TOUCH CONTROL (TOUCHPAD OPERATION)

The headphones include a multifunction touchpad located over the right earcup. Use the following gestures to control audio playback and answer calls.

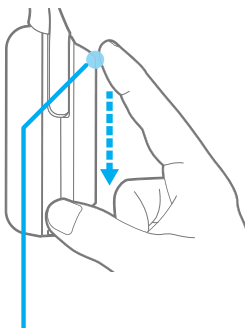


▶|| Play/Pause: Double tap quickly

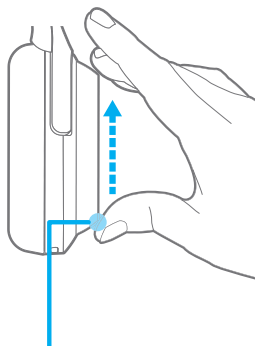
▶▶ Next Track: Triple tap quickly (four taps to go back)

## Manual Volume Control:

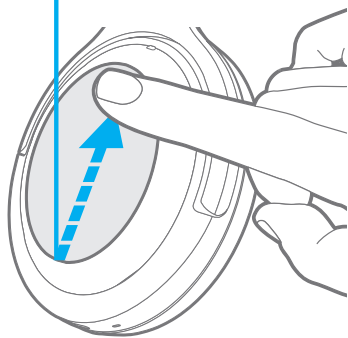
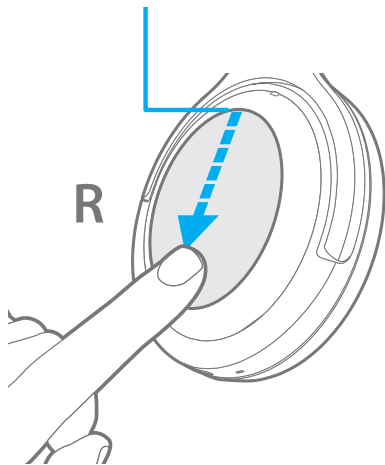
To manually increase or decrease the volume, place your finger at either the top or bottom of the earcup as shown, and slowly swipe across to the other end.



Slowly swipe down from the top edge to the bottom



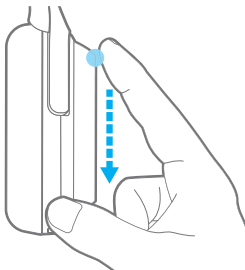
Slowly swipe up from the bottom edge to the top



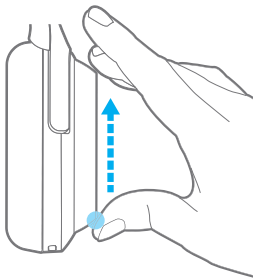
## Automatic Volume Control:

To automatically increase or decrease the volume, place your finger at either the top or bottom of the earcup as shown, and slowly swipe and **HOLD** your finger at the center of the earcup.

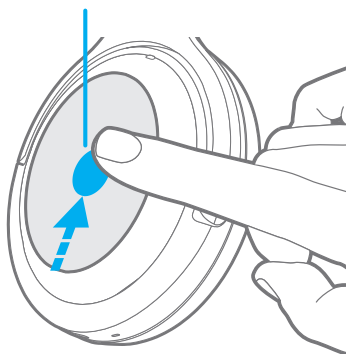
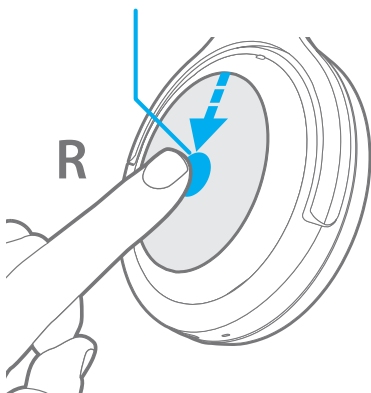
The volume will either increase or decrease (depending on where you swiped from) until you release your finger from the earcup.



Slowly swipe down from the top edge to the center, and **HOLD** your finger at the center of the earcup until the desired volume level is reached



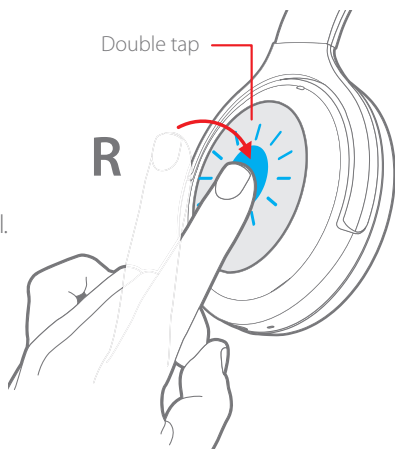
Slowly swipe up from the bottom edge to the center, and **HOLD** your finger at the center of the earcup until the desired volume level is reached





### Answer a Call:

Double tap quickly during an incoming call.

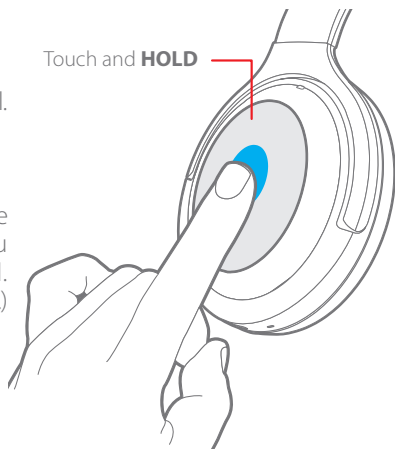


### Rejecting a Call:

Touch and **HOLD** during an incoming call.

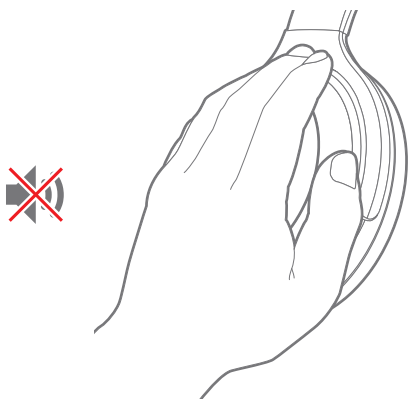
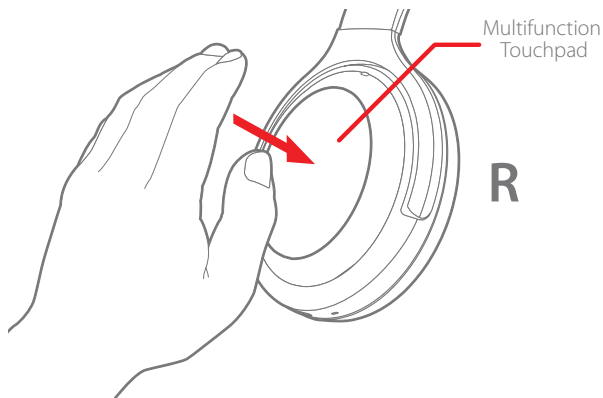
### Voice Assistant:

Touch and **HOLD** until the default voice assistant of your device is activated. You can touch and **HOLD** again to cancel. (This may not be supported on all devices.)



**Monitor:**

Place the palm of your hand over the right earcup, the music is muted until you release your palm from the earcup.



## USING THE AUDIO CABLE

When connecting the 3.5mm audio cable, the headphones will power off and play audio directly from the connected device.

