

User Manual

AR2055

Compliance Information

FCC Information

This device complies with Part 15 of the FCC Rules.

Caution: Any changes or modifications not expressly approved could void the user's authority to operate the equipment.

Note: This equipment has been tested and found to comply with the limits for a Class B digital device, pursuant to part 15 of the FCC Rules. These limits are designed to provide reasonable protection against harmful interference in a residential installation. This equipment generates, uses and can radiate radio frequency energy and, if not installed and used in accordance with the instructions, may cause harmful interference to radio communications. However, there is no guarantee that interference will not occur in a particular installation. If this equipment does cause harmful interference to radio or television reception, which can be determined by turning the equipment off and on, the user is encouraged to try to correct the interference by one or more of the following measures:

- Reorient or relocate the receiving antenna.
- Increase the separation between the equipment and receiver.
- Connect the equipment into an outlet on a circuit different from that to which the receiver is connected.
- Consult the dealer or an experienced radio/TV technician for help.

Radiation Exposure Information

The device has been evaluated to meet general RF exposure requirement. The device can be used in portable exposure condition without restriction.



WARNING Li-ion Battery Inside

This product is fitted with a Li-ion battery. Do not damage, open, or dismantle the battery and do not use it in damp and/or corrosive conditions. Use only with compatible chargers. Never dispose of batteries in a fire, and never expose them to high temperatures. Do not expose the product to temperatures exceeding 60°C (140°F).

Rating Label — Direct current symbol.

Definitions



This symbol signifies the product must not be discarded as household waste, and should be delivered to an appropriate collection facility for recycling. Proper disposal and recycling helps protect natural resources, human health and the environment.



This symbol signifies and declares that this equipment has battery charging which complies with California CEC and energy efficiency.



This symbol signifies that this is a wireless device powered by Bluetooth® technology. The Bluetooth® word mark and logos are registered trademarks owned by Bluetooth SIG, Inc. used under license.

Warranty Information

90-day Limited Warranty

Territory: United States/Canada

LIMITED WARRANTY TO ORIGINAL CONSUMER

This product (including any accessories included in the original packaging) as supplied and distributed new by an authorized retailer is warranted by Southern Telecom, Inc. to the original consumer purchaser against defects in materials and workmanship ("Warranty") as follows:

To obtain warranty service:

- Visit our website at www.southerntelecom.com
- Click on **Product Support**
- Select the **Brand** of your device
- Select **Service Request** and fill out the form to begin your inquiry

Your product will be repaired or replaced, at our option, for the same or similar model of equal value if examination by the service center determines this product is defective. Products received damaged as a result of shipping will require you to file a claim with the carrier.

Warranty service not provided

This warranty does not cover damage resulting from accident, misuse, abuse, improper installation or operation, lack of reasonable care, unauthorized modification including software modifications such as the installation of custom firmware. This warranty is voided in the event any unauthorized person opens, alters or repairs this product. All products being returned to the authorized service center for repair must be suitably packaged.

NO WARRANTIES, WHETHER EXPRESS OR IMPLIED, INCLUDING, BUT NOT LIMITED TO, ANY IMPLIED WARRANTIES OF MERCHANTABILITY OR FITNESS FOR A PARTICULAR PURPOSE, OTHER THAN THOSE EXPRESSLY DESCRIBED ABOVE SHALL APPLY. DISTRIBUTOR FURTHER DISCLAIMS ALL WARRANTIES AFTER THE EXPRESS WARRANTY PERIOD STATED ABOVE. NO OTHER EXPRESS WARRANTY OR GUARANTEE GIVEN BY ANY PERSON, FIRM OR ENTITY WITH RESPECT TO THE PRODUCT SHALL BE BINDING ON DISTRIBUTOR. REPAIR, REPLACEMENT OR REFUND OF THE ORIGINAL PURCHASE PRICE - AT DISTRIBUTOR'S SOLE DISCRETION - ARE THE EXCLUSIVE REMEDIES OF THE CONSUMER. IN NO EVENT WILL DISTRIBUTOR OR ITS MANUFACTURERS BE LIABLE FOR ANY INCIDENTAL, DIRECT, INDIRECT, SPECIAL, PUNITIVE OR CONSEQUENTIAL DAMAGES (SUCH AS, BUT NOT LIMITED TO, DAMAGES FOR LOSS OF PROFITS, BUSINESS, SAVINGS, DATA OR RECORDS) CAUSED BY THE USE, MISUSE OR INABILITY TO USE THE PRODUCT, EXCEPT AS STATED HEREIN. NO OTHER WARRANTIES SHALL APPLY. NOTWITHSTANDING THE FOREGOING, CONSUMER'S RECOVERY AGAINST DISTRIBUTOR SHALL NOT EXCEED THE PURCHASE PRICE OF THE PRODUCT SOLD BY DISTRIBUTOR. THIS WARRANTY SHALL NOT EXTEND TO ANYONE OTHER THAN THE ORIGINAL CONSUMER WHO PURCHASED THE PRODUCT AND IS NOT TRANSFERABLE.

Some countries, states or provinces do not allow the exclusion or limitation of incidental or consequential damages or allow limitations on warranties, so limitation or exclusions may not apply to you. This warranty gives you specific legal rights, and you may have other rights that vary from state to state or province to province. Contact your authorized retailer to determine if another warranty applies.

All product names, trademarks, and registered trademarks are property of their respective owners. All company, product, and service names used in this document are for identification purposes only. Use of these names, trademarks, and brands does not imply endorsement.

Printed in China
Designed in USA
v1.05-2019

ART+SOUND™

STREETBEAT Boomtube Lightshow Speaker



Instruction Manual

AR2055

Before You Begin...

READ CAREFULLY AND SAVE THIS MANUAL FOR FUTURE REFERENCE

Customer Support

For any questions or problems with your product, please visit our website at SouthernTelecom.com and click on **Product Support**.

Caution

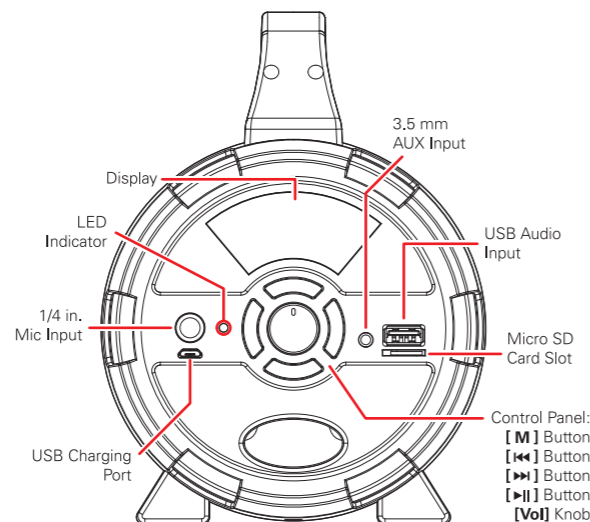
To ensure safe and proper use, read all safety information before using the device. Only use with manufacturer-approved batteries, chargers, accessories, and supplies.

- **THIS DEVICE IS NOT A TOY**, do NOT allow children or pets to use or play with this device.
- **Do not disassemble, modify, or repair the device.**
- **Do not submerge in water.**
- Do not expose the unit to extreme temperatures (heat or cold), open flames, humid, or wet conditions.
- Only use certified charging cables and adapters with this device.
- Do not allow the USB ports, power jack or other inputs of the device to be exposed to dust, or water, or come into contact with any conductive materials such as liquids, metallic powders, etc.

In the Box

- AR2055 - **Wireless Speaker** (x1)
- USB Charging Cable (x1)
- Microphone (x1)
- Instruction Manual (x1)

Location of Controls



Getting Started

Charging the Speaker

Attach the small connector of the supplied micro-USB cable to the USB charging port on the back of the speaker. Attach the large connector to the USB port on a computer, a USB charging device, or a **5V USB adapter** (*not included*) and plug into an electrical outlet.

The LED indicator will **turn RED** while charging and turn off when fully charged. When low on power, a tone will be heard, indicating that the speaker should be charged.

Power ON/OFF

- Turn the **[Vol]** knob to the right to power the speaker ON. When powered ON, the speaker will automatically reconnect to the device it was most recently paired to, so long as that device is within connection range (30 ft.) and Bluetooth is enabled.
- When powered ON, the lights will turn on automatically.
- Turn the **[Vol]** knob to the left to power OFF.

Using the Lights

- Press and hold the **[M]** button to turn the lights ON/OFF.

Playing Music

To listen to music on your speaker, make sure it is paired or connected to an audio input.

Once connected, playback and volume adjustment can be controlled with your connected device or, in Bluetooth / SD card / USB audio modes, with the controls on the speaker. See the **Playback & Volume Adjustment** section of this manual.

ART+SOUND™

Printed in China
Designed in USA
v1.05-2019

Changing Input Modes

- Press the **[M]** button to switch between Bluetooth, AUX input, micro SD, and USB audio input.

Bluetooth Pairing

1. Power the speaker ON. A tone will be heard and the display will flash the text "Blue."
2. Set your mobile device to search for Bluetooth devices. When it appears, select **AR2055** from the list of found devices.
3. Once successfully paired, a tone will be heard and the display will stop flashing.

Using the AUX Input

Insert the connector of a 3.5 mm auxiliary audio cable (*not included*) into the 3.5 mm input on the side of the speaker. Insert the other connector into to the audio output jack on your media-playing device.

Using the SD Card Input

Insert a micro SD card that is between 128 MB and 32 GB in size, and speed class 4 to 10 (*not included*) into the micro SD card slot.

Note: Micro-SD cards will only fit into a slot in one direction. When installing a micro-SD card, GENTLY push the card until it clicks into place.

Using the USB Audio Input

Insert the USB connector of a USB media-playing or storage device, or a cable connected to one, into the USB audio input port on the speaker.

Note: To listen to music on your USB device, you may need to have files store in the root folder of the device. Check your USB device's manufacturer information for more details.

Playback Control (*Bluetooth, SD, USB Mode*)

- Press the **[▶|▶]** button to *pause/resume* media playback.
- Press the **[◀◀]** and **[▶▶]** buttons to skip tracks.

Adjusting Volume (*All Modes*)

- Use the **[Vol]** knob to adjust volume. When adjusted, the volume level will be briefly shown on the display.

Using the Microphone Inputs

Insert the connector of the included microphone into the microphone input. To adjust microphone volume, use the **[Vol]** knob on the speaker.

To avoid microphone feedback, do not place or use the microphone while in front of the speaker. When not in use, turn the mics off or turn the mic volume all the way down.