

(Fold Inward) - - - - ▶

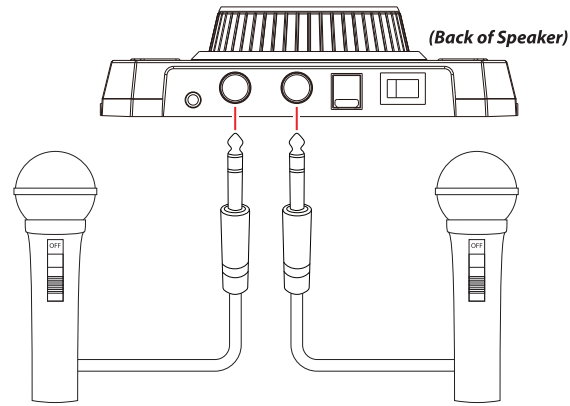
(Back Cover)

(Front Cover)

Using Microphones

Plug the 1/4" connector of a microphone (*not included*) into one of the microphone input ports on the back of the speaker.

- Adjust volume with the speaker's **[Volume]** dial.
- To avoid loud microphone feedback, keep the microphones behind the speaker, pointing away from it. When not using the microphones, turn them off or keep the speaker's **[Volume]** dial low.



Compliance Information

FCC Information

This device complies with Part 15 of the FCC Rules.

Caution: Any changes or modifications not expressly approved could void the user's authority to operate the equipment.

Note: This equipment has been tested and found to comply with the limits for a Class B digital device, pursuant to part 15 of the FCC Rules. These limits are designed to provide reasonable protection against harmful interference in a residential installation. This equipment generates, uses and can radiate radio frequency energy and, if not installed and used in accordance with the instructions, may cause harmful interference to radio communications. However, there is no guarantee that interference will not occur in a particular installation. If this equipment does cause harmful interference to radio or television reception, which can be determined by turning the equipment off and on, the user is encouraged to try to correct the interference by one or more of the following measures:

- Reorient or relocate the receiving antenna.
- Increase the separation between the equipment and receiver.
- Connect the equipment into an outlet on a circuit different from that to which the receiver is connected.
- Consult the dealer or an experienced radio/TV technician for help.

Radiation Exposure Information
The device has been evaluated to meet general RF exposure requirement. The device can be used in portable exposure condition without restriction.

WARNING Li-ion Battery Inside

This product is fitted with a Li-Ion battery. Do not damage, open, or dismantle the battery and do not use it in damp and/or corrosive conditions. Use only with compatible chargers. Never dispose of batteries in a fire, and never expose them to high temperatures. Do not expose the product to temperatures exceeding 60°C (140°F).

Rating Label

Definitions

— Direct current symbol.

This symbol signifies the product must not be discarded as household waste, and should be delivered to an appropriate collection facility for recycling. Proper disposal and recycling helps protect natural resources, human health and the environment.

This symbol signifies and declares that this equipment has battery charging which complies with California CEC and energy efficiency.

Bluetooth This symbol signifies that this is a wireless device powered by Bluetooth® technology. The Bluetooth® word mark and logos are registered trademarks owned by Bluetooth SIG, Inc. used under license.



90-day Limited Warranty

Territory: United States/Canada

LIMITED WARRANTY TO ORIGINAL CONSUMER

This product (including any accessories included in the original packaging) as supplied and distributed new by an authorized retailer is warranted by Southern Telecom, Inc. to the original consumer purchaser against defects in materials and workmanship ("Warranty") as follows:

To obtain warranty service:

- Visit our website at www.southern telecom.com
- Click on **Product Support**
- Select the **Brand** of your device
- Select **Service Request** and fill out the form to begin your inquiry

Your product will be repaired or replaced, at our option, for the same or similar model of equal value if examination by the service center determines this product is defective. Products received damaged as a result of shipping will require you to file a claim with the carrier.

Warranty service not provided

This warranty does not cover damage resulting from accident, misuse, abuse, improper installation or operation, lack of reasonable care, unauthorized modification including software modifications such as the installation of custom firmware. This warranty is voided in the event any unauthorized person opens, alters or repairs this product. All products being returned to the authorized service center for repair must be suitably packaged.

NO WARRANTIES, WHETHER EXPRESS OR IMPLIED, INCLUDING, BUT NOT LIMITED TO, ANY IMPLIED WARRANTIES OF MERCHANTABILITY OR FITNESS FOR A PARTICULAR PURPOSE, OTHER THAN THOSE EXPRESSLY DESCRIBED ABOVE SHALL APPLY. DISTRIBUTOR FURTHER DISCLAIMS ALL WARRANTIES AFTER THE EXPRESS WARRANTY PERIOD STATED ABOVE. NO OTHER EXPRESS WARRANTY OR GUARANTEE GIVEN BY ANY PERSON, FIRM OR ENTITY WITH RESPECT TO THE PRODUCT SHALL BE BINDING ON DISTRIBUTOR. REPAIR, REPLACEMENT OR REFUND OF THE ORIGINAL PURCHASE PRICE - AT DISTRIBUTOR'S SOLE DISCRETION - ARE THE EXCLUSIVE REMEDIES OF THE CONSUMER. IN NO EVENT WILL DISTRIBUTOR OR ITS MANUFACTURERS BE LIABLE FOR ANY INCIDENTAL, DIRECT, INDIRECT, SPECIAL, PUNITIVE OR CONSEQUENTIAL DAMAGES (SUCH AS, BUT NOT LIMITED TO, DAMAGES FOR LOSS OF PROFITS, BUSINESS, SAVINGS, DATA OR RECORDS) CAUSED BY THE USE, MISUSE OR INABILITY TO USE THE PRODUCT, EXCEPT AS STATED HEREIN. NO OTHER WARRANTIES SHALL APPLY. NOTWITHSTANDING THE FOREGOING, CONSUMER'S RECOVERY AGAINST DISTRIBUTOR SHALL NOT EXCEED THE PURCHASE PRICE OF THE PRODUCT SOLD BY DISTRIBUTOR. THIS WARRANTY SHALL NOT EXTEND TO ANYONE OTHER THAN THE ORIGINAL CONSUMER WHO PURCHASED THE PRODUCT AND IS NOT TRANSFERABLE.

Some countries, states or provinces do not allow the exclusion or limitation of incidental or consequential damages or allow limitations on warranties, so limitation or exclusions may not apply to you. This warranty gives you specific legal rights, and you may have other rights that vary from state to state or province to province. Contact your authorized retailer to determine if another warranty applies.

Warranty Information

ART+SOUND™

ART+SOUND™



Instruction Manual
Active Pulse
Wireless Party Speaker
AR1054

All product names, trademarks, and registered trademarks are property of their respective owners. All company, product, and service names used in this document are for identification purposes only. Use of these names, trademarks, and brands does not imply endorsement.

Printed in China
v1.08-2019

Before You Begin...

READ CAREFULLY AND SAVE THIS MANUAL FOR FUTURE REFERENCE

Customer Support

For any questions or problems with your product, please visit our website at SouthernTelecom.com and click on **Product Support**.

Caution

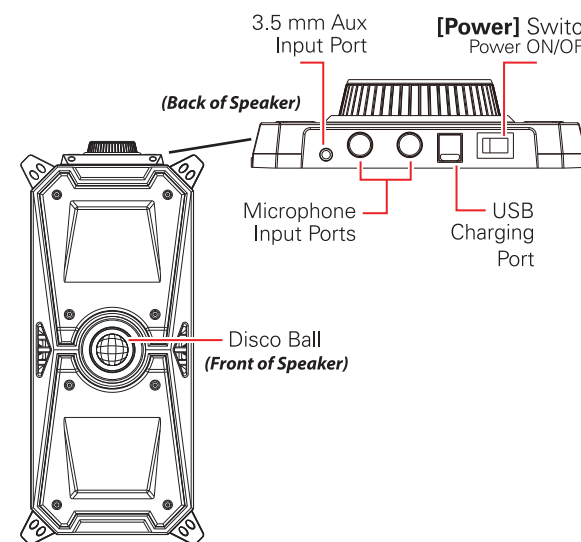
To ensure safe and proper use, read all safety information before using the device. Only use with manufacturer-approved batteries, chargers, accessories, and supplies.

- **THIS DEVICE IS NOT A TOY.** do NOT allow children or pets to use or play with this device.
- Do not disassemble, modify, or repair the device.
- Do not submerge in water.
- Low battery may cause poor Bluetooth connection or sound distortion.
- Do not overcharge battery.
- Do not expose the unit to extreme temperatures (heat or cold), open flames, humid, or wet conditions.
- Do not allow the USB ports, power jack or other inputs of the device to be exposed to dust, or water, or come into contact with any conductive materials such as liquids, metallic powders, etc.

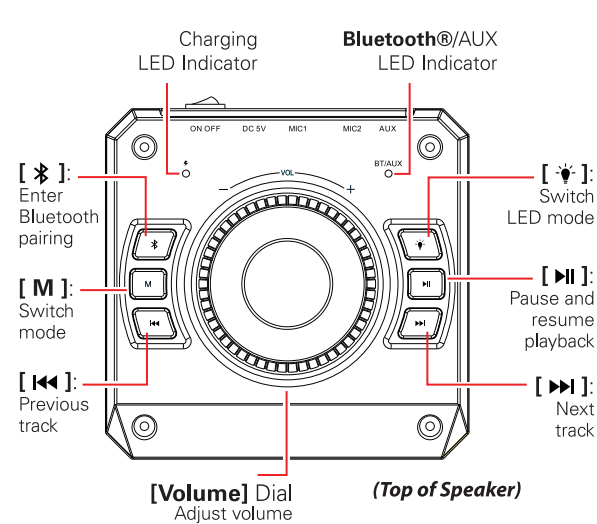
In the Box

- AR1054 - **Wireless Speaker** (x1)
- USB Charging Cable (x1)
- Instruction Manual (x1)

Location of Controls



Location of Controls (cont'd)



Getting Started

Charging the Speaker

Insert the small connector of the supplied USB charging cable into the USB charging port on the back of the speaker. Insert the large connector to the USB port on a computer, a USB charging device, or a **5V USB adapter** (*not included*) and plug into an electrical outlet.

The charging LED indicator on the top of the speaker will **turn RED** while charging and turn off when fully charged. On low battery, a tone will be heard, indicating that the speaker should be charged.

Power ON/OFF

- Flip the **[Power]** switch on the back of the speaker to power the speaker ON and OFF. When powered on, the speaker will enter Bluetooth mode and will automatically re-pair to any available previously-paired device in range.

Playing Music

To listen to music on the speaker, you must be paired to a Bluetooth-enabled device or connected via the 3.5 mm auxiliary input jack. See the **Bluetooth Pairing** and **Connecting with a Wired Device** sections of this manual for instruction.

Adjusting Volume

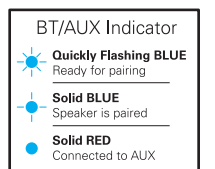
- Turn the **[Volume]** dial on the top of the speaker to adjust volume, or use the controls on your connected device.

Using the Lights

- Press the **[*]** button on the top of the speaker to cycle through light modes.

Bluetooth Pairing

1. Power the speaker ON. A tone will be heard, the speaker lights will turn on, and the BT/AUX LED indicator will **quickly flash BLUE**.
2. Set your Bluetooth-enabled device to search for Bluetooth devices. Select **AR1054** when it shows up on the list of found devices.
3. After a successful pairing, a tone will be heard and the BT/AUX LED indicator will **turn solid BLUE**.



Press the **[*]** button on the top of the speaker to disconnect from a paired device and re-enter Bluetooth pairing mode.

Connecting with a Wired Device

Plug one connector of a 3.5 mm auxiliary cable (*not included*) into the 3.5 mm aux input port on the back of the speaker. Plug the other connector into the headphone jack or 3.5 mm aux port on your media-playing device.

Switching Input Modes

Press the **[M]** button on the top of the speaker to switch between Bluetooth and aux modes. You must have a 3.5 mm device connected to the speaker's 3.5 mm aux input port in order to switch to aux mode.

Adjusting Playback

In aux mode, playback will be controlled by your connected device. In Bluetooth mode, you can adjust playback with your connected device, or with the buttons on the top of the speaker.

- Press the **[||]** button to pause playback. Press again to resume.
- Press the **[<<]** and **[>>]** buttons to skip tracks.