

User Manual

AR1019

🔊 Adjusting Volume and Playback

- Adjust volume by pressing and holding the [⏪/-] and [▶/+] buttons on the speaker, pressing the [⏪] and [▶] buttons on the remote control, or using a connected device. A tone will be heard when you have reached the speaker's min. or max. volume limit.
- Mute and unmute the volume by pressing the [🔇] button.
- Skip tracks in Bluetooth mode by pressing the [⏪/-] and [▶/+] buttons on the speaker or the [⏪] and [▶] buttons on the remote control.
- Skip tracks in AUX mode using the controls on your device.
- Press the [▶/+] button on the speaker or the [▶] button on the remote control to pause and resume playback in Bluetooth mode. Use the controls on your device to pause and resume playback in AUX mode.

🔑 Using the Remote Control

The speaker must be switched ON in order to use the remote control.

- [⏻] Button: Enter or leave standby mode
- [MODE] Button: Switch between modes
- [▶/+] Button: Pause and resume playback
- [⏪/-] / [▶/+] Buttons: (Bluetooth) Skip tracks
- [🔇] Button: Mute/unmute volume
- [VOL+] / [VOL-] Buttons: Adjust volume



Compliance Information

FCC Information

This device complies with Part 15 of the FCC Rules.

Caution: Any changes or modifications not expressly approved could void the user's authority to operate the equipment.

Note: This equipment has been tested and found to comply with the limits for a Class B digital device, pursuant to part 15 of the FCC Rules. These limits are designed to provide reasonable protection against harmful interference in a residential installation. This equipment generates, uses and can radiate radio frequency energy and, if not installed and used in accordance with the instructions, may cause harmful interference to radio communications. However, there is no guarantee that interference will not occur in a particular installation. If this equipment does cause harmful interference to radio or television reception, which can be determined by turning the equipment off and on, the user is encouraged to try to correct the interference by one or more of the following measures:
 -- Reorient or relocate the receiving antenna.
 -- Increase the separation between the equipment and receiver.
 -- Connect the equipment into an outlet on a circuit different from that to which the receiver is connected.
 -- Consult the dealer or an experienced radio/TV technician for help.

This device complies with Part 15 of the FCC Rules. Operation is subject to the following two conditions:
 (1) This device may not cause harmful interference, and (2) this device must accept any interference received, including interference that may cause undesired operation.

Radiation Exposure Information

The device has been evaluated to meet general RF exposure requirement. The device can be used in portable exposure condition without restriction.

Rating Label Definitions

- Direct current symbol.
- This symbol signifies the product must not be discarded as household waste, and should be delivered to an appropriate collection facility for recycling. Proper disposal and recycling helps protect natural resources, human health and the environment.
- This symbol signifies that this is a wireless device powered by Bluetooth® technology. The Bluetooth® word mark and logos are registered trademarks owned by Bluetooth SIG, Inc.

Warranty Information

90-day Limited Warranty

Territory: United States/Canada

LIMITED WARRANTY TO ORIGINAL CONSUMER

This product (including any accessories included in the original packaging) as supplied and distributed new by an authorized retailer is warranted by Southern Telecom, Inc. to the original consumer purchaser against defects in materials and workmanship ("Warranty") as follows:

To obtain warranty service:

- Visit our website at www.southern telecom.com
- Click on **Product Support**
- Select the **Brand** of your device
- Select **Service Request** and fill out the form to begin your inquiry

Your product will be repaired or replaced, at our option, for the same or similar model of equal value if examination by the service center determines this product is defective. Products received damaged as a result of shipping will require you to file a claim with the carrier.

Warranty service not provided

This warranty does not cover damage resulting from accident, misuse, abuse, improper installation or operation, lack of reasonable care, unauthorized modification including software modifications such as the installation of custom firmware. This warranty is voided in the event any unauthorized person opens, alters or repairs this product. All products being returned to the authorized service center for repair must be suitably packaged.

NO WARRANTIES, WHETHER EXPRESS OR IMPLIED, INCLUDING, BUT NOT LIMITED TO, ANY IMPLIED WARRANTIES OF MERCHANTABILITY OR FITNESS FOR A PARTICULAR PURPOSE, OTHER THAN THOSE EXPRESSLY DESCRIBED ABOVE SHALL APPLY. DISTRIBUTOR FURTHER DISCLAIMS ALL WARRANTIES AFTER THE EXPRESS WARRANTY PERIOD STATED ABOVE. NO OTHER EXPRESS WARRANTY OR GUARANTEE GIVEN BY ANY PERSON, FIRM OR ENTITY WITH RESPECT TO THE PRODUCT SHALL BE BINDING ON DISTRIBUTOR. REPAIR, REPLACEMENT, OR REFUND OF THE ORIGINAL PURCHASE PRICE - AT DISTRIBUTOR'S SOLE DISCRETION - ARE THE EXCLUSIVE REMEDIES OF THE CONSUMER. IN NO EVENT WILL DISTRIBUTOR OR ITS MANUFACTURERS BE LIABLE FOR ANY INCIDENTAL, DIRECT, INDIRECT, SPECIAL, PUNITIVE OR CONSEQUENTIAL DAMAGES (SUCH AS, BUT NOT LIMITED TO, DAMAGES FOR LOSS OF PROFITS, BUSINESS, SAVINGS, DATA OR RECORDS) CAUSED BY THE USE, MISUSE OR INABILITY TO USE THE PRODUCT, EXCEPT AS STATED HEREIN. NO OTHER WARRANTIES SHALL APPLY, NOTWITHSTANDING THE FOREGOING, CONSUMER'S RECOVERY AGAINST DISTRIBUTOR SHALL NOT EXCEED THE PURCHASE PRICE OF THE PRODUCT SOLD BY DISTRIBUTOR. THIS WARRANTY SHALL NOT EXTEND TO ANYONE OTHER THAN THE ORIGINAL CONSUMER WHO PURCHASED THE PRODUCT AND IS NOT TRANSFERABLE.

Some countries, states or provinces do not allow the exclusion or limitation of incidental or consequential damages or allow limitations on warranties, so limitation or exclusions may not apply to you. This warranty gives you specific legal rights, and you may have other rights that vary from state to state or province to province. Contact your authorized retailer to determine if another warranty applies.

ART+SOUND™

All product names, trademarks, and registered trademarks are property of their respective owners. All company, product, and service names used in this document are for identification purposes only. Use of these names, trademarks, and brands does not imply endorsement.

Printed in China
Designed in USA
v1.11-2020

ART+SOUND™

SIRENE Wireless Tower Speaker



Instruction Manual

AR1019

Before You Begin...

⚠ CAUTION

- READ CAREFULLY AND KEEP THIS MANUAL**
- THIS IS NOT A TOY, Please keep away from children and pets**
- Keep away from water and extreme temperatures.
- Do not open this product or attempt to repair the unit yourself should it not be working.
- Do not expose the unit to extreme temperatures (heat or cold), open flames, humid conditions, or wet conditions.
- Do not submerge in water.

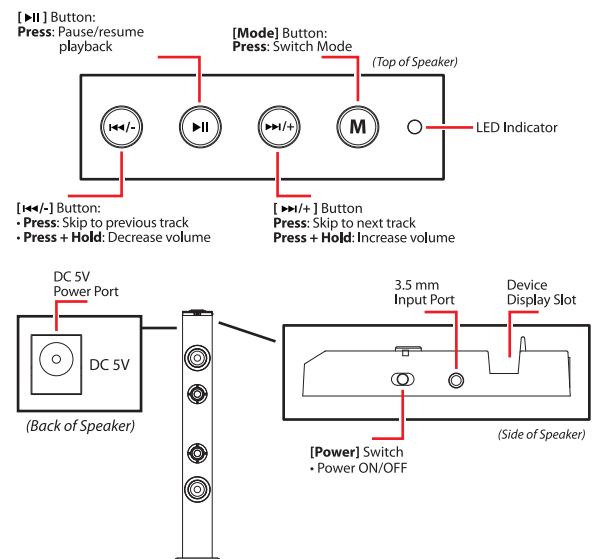
📄 Questions & Customer Support

For questions, troubleshooting or any other assistance, please visit our website at SouthernTelecom.com and click on **Product Support**.

📦 In the Box

- AR1019 - **Wireless Speaker** (x1)
- 5V/1.5A Power Adapter (x1)
- Wooden Base (x1)
- Screws (x2)
- Remote Control (x1)
- Instruction Manual (x1)

Location of Controls



Getting Started

🔧 Installing the Base

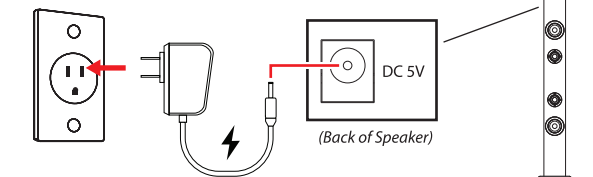
- Remove the speaker and contents from its packaging.
- Carefully turn the speaker upside down and place the wooden base on the underside, aligning the screw holes on the base with the screw holes on the speaker.
- Screw the base to the speaker with the supplied base screws.

When properly installed, the non-slip feet on the underside of the wood base should be touching the floor.

⚠ CAUTION
The speaker should be placed **ONLY** on a level, sturdy floor. Do NOT place on a table or other piece of furniture.

⚡ Powering the Speaker

Plug the small connector of the included power adapter into the DC 5V Power Port on the back of the speaker. Plug the other end into an electrical outlet.



🔌 Powering ON/OFF

- Move the [Power] switch to the ON position. A tone will be heard, and the speaker will enter Bluetooth pairing mode. The speaker will automatically re-pair to any nearby, previously-paired device.
- Move the [Power] switch to the OFF position to power OFF.
- While the speaker is powered ON, you can enter and leave standby mode by pressing the [⏻] button on the remote control.

🎵 Playing Music

To listen to music on the speaker, you must be paired to a Bluetooth-enabled device (see the **Bluetooth Pairing** section) or connected with a 3.5 mm cable (see the **Using with a Wired Device** section).

In Bluetooth mode, playback and volume adjustment can be controlled with the buttons on the speaker, the buttons on the remote control, or the controls on your paired device.

In AUX mode, playback will be controlled by your paired device, and volume can be controlled with the buttons on the speaker, the remote control, or your paired device.

🎵 Changing Input Mode

Press the [M] button on the speaker or [MODE] button on the remote control to change between Bluetooth and auxiliary input modes. A 3.5 mm aux cable (*not included*) must be plugged in to switch to AUX mode.

🔌 Bluetooth Pairing

- Power the speaker ON. A tone will be heard, and the LED indicator will **quickly flash BLUE**.
- Set your device to search for Bluetooth devices. When it appears, select **AR1019** from the list of found devices.
- After a successful pairing, a tone will be heard and the LED indicator will **slowly flash BLUE**.

In Bluetooth mode, playback and volume adjustment can be controlled with the buttons on the speaker, the buttons on the remote control, or the controls on your paired device.

🔌 Using with a Wired Device

Plug one connector of a 3.5 mm auxiliary input cable (*not included*) into the 3.5 mm input port on the side of the speaker. Plug the other connector into your device. The speaker will automatically switch to aux mode, and the LED indicator will **turn solid BLUE**.

The speaker should automatically switch to AUX mode when a cable is plugged into the AUX port.

In AUX mode, playback will be controlled by your paired device, and volume can be controlled with the buttons on the speaker, the remote control, or your paired device.

