

## Legal Information

### READ CAREFULLY AND KEEP THIS MANUAL

**Caution:** Any changes or modifications not expressly approved could void the user's authority to operate the equipment.

This device complies with Part 15 of the FCC Rules. Operation is subject to the following two conditions: (1) This device may not cause harmful interference, and (2) this device must accept any interference received, including interference that may cause undesired operation.

**Note:** This equipment has been tested and found to comply with the limits for a Class B digital device, pursuant to part 15 of the FCC Rules. These limits are designed to provide reasonable protection against harmful interference in a residential installation. This equipment generates, uses and can radiate radio frequency energy and, if not installed and used in accordance with the instructions, may cause harmful interference to radio communications. However, there is no guarantee that interference will not occur in a particular installation. If this equipment does cause harmful interference to radio or television reception, which can be determined by turning the equipment off and on, the user is encouraged to try to correct the interference by one or more of the following measures:

- Reorient or relocate the receiving antenna.
- Increase the separation between the equipment and receiver.
- Connect the equipment into an outlet on a circuit different from that to which the receiver is connected.
- Consult the dealer or an experienced radio/TV technician for help.

The device has been evaluated to meet general RF exposure requirement. The device can be used in portable exposure condition without restriction.

#### WARNING Li-ion Battery Inside

This product is fitted with a Li-ion battery. Do not damage, open, or dismantle the battery and do not use it in damp and/or corrosive conditions. Use only with compatible chargers. Never dispose of batteries in a fire, and never expose them to high temperatures. Do not expose the product to temperatures exceeding 60°C (140°F).



#### Rain/Moisture Warning

- Do not expose the unit to extreme temperatures (heat or cold), open flames, humid conditions, or wet conditions.
- Do not submerge in water.
- Do not open this product or attempt to repair the unit yourself should it not be working.

#### Rating Label Definitions

Direct Current

Comply with Waste Electrical and Electronic Equipment (WEEE) Directive (2012/19/EU)

The product is in compliance of energy efficiency.



This symbol indicates that information could be exchanged between wireless devices such as personal digital assistants (PDAs), mobile phones, laptops, computers, printers and digital cameras via a secure, low-cost, globally available short-range radio frequency band. The Bluetooth word mark and logos are owned by Bluetooth SIG, Inc.

## 90-Day Limited Warranty

In the unlikely event that this product is defective, or does not perform properly, you may return it to the authorized service center for repair or exchange within ninety (90) days from your original date of purchase.

#### TO OBTAIN WARRANTY SERVICE:

- Go to our website portal to receive an SRO number.
- Provide proof of the date of purchase within the package (dated bill of sale).
- Prepay all shipping costs to the authorized service center, and remember to insure your return.
- Include a return shipping address (no P.O. Boxes), a telephone contact number, and the defective unit within the package.
- Describe the defect or reason you are returning the product.

Your product will be repaired or replaced, at our option, for the same or similar model of equal value if examination by the service center determines this product is defective. Products received damaged as a result of shipping will require you to file a claim with the carrier.

The shipping address of the authorized service center is:

Customer Service Dept. 36  
c/o Southern Telecom  
400 Kennedy Drive  
Sayreville NJ 08872

Should have any questions or problems concerning this product, please visit our website at [SouthernTelecom.com](http://SouthernTelecom.com) and click on **Product Support**.

#### Warranty Service Not Provided

This warranty does not cover damage resulting from accident, misuse, abuse, improper installation or operation, lack of reasonable care, and unauthorized modification. This warranty is voided in the event any unauthorized person opens, alters or repairs this product. All products being returned to the authorized service center for repair must be suitably packaged.

#### Limitation of Warranty

- THE WARRANTY STATED ABOVE IS THE ONLY WARRANTY APPLICABLE TO THIS PRODUCT. ALL OTHER WARRANTIES, EXPRESS OR IMPLIED (INCLUDING ALL IMPLIED WARRANTIES OF MERCHANTABILITY OR FITNESS FOR A PARTICULAR PURPOSE) ARE HEREBY DISCLAIMED. NO VERBAL OR WRITTEN INFORMATION GIVEN BY AIT, INC. ITS AGENTS, OR EMPLOYEES SHALL CREATE A WARRANTY OR IN ANY WAY INCREASE THE SCOPE OF THIS WARRANTY.
- REPAIR OR REPLACEMENT AS PROVIDED UNDER THIS WARRANTY IS THE EXCLUSIVE REMEDY OF THE CONSUMER. AIT, INC. SHALL NOT BE LIABLE FOR INCIDENTAL OR CONSEQUENTIAL DAMAGES RESULTING FROM THE USE OF THIS PRODUCT OR ARISING OUT OF ANY BREACH OF ANY EXPRESS OR IMPLIED WARRANTY ON THIS PRODUCT. THIS DISCLAIMER OF WARRANTIES AND LIMITED WARRANTY ARE GOVERNED BY THE LAWS OF THE STATE OF NEW YORK, EXCEPT TO THE EXTENT PROHIBITED BY APPLICABLE LAW. ANY IMPLIED WARRANTY OF MERCHANTABILITY OR FITNESS FOR A PARTICULAR PURPOSE ON THIS PRODUCT IS LIMITED TO THE APPLICABLE WARRANTY PERIOD SET FORTH ABOVE.

Some states do not allow the exclusion nor limitation of incidental or consequential damages, or limitations on how long an implied warranty lasts so the above limitations on exclusions may not apply to you. This warranty gives you specific legal rights, and you also may have other rights that vary from state to state.

All other trademarks and trade names are those of their respective owners.

Printed in China  
Designed in USA  
v1.08-2018

# ART+SOUND™

## Wireless Speaker with Aroma Diffuser



### User Manual AR533

## Before You Begin...

### Caution

- THIS IS NOT A TOY, **please keep away from children**
- Keep away from water and extreme temperatures
- **Make sure that the speaker has been charged before using for the first time.**
- Low power may cause poor Bluetooth connection or sound distortion
- Do not overcharge the battery
- Do NOT allow any oil to get inside of the speaker.
- Do NOT add too much essential oil, as it might leak from the sponge and drip inside the speaker.
- Do NOT insert the sponge into the speaker or place anywhere that it could get stuck.

### Questions & Customer Support

For questions, troubleshooting or any other assistance, please visit our website at [SouthernTelecom.com](http://SouthernTelecom.com) and click on **Product Support**.

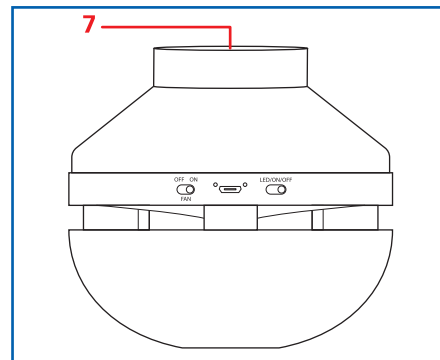
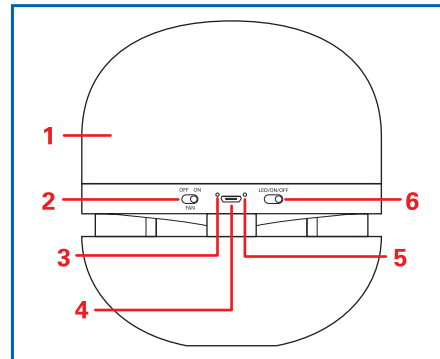
### In the Box

- AR533 - **Wireless Speaker with Aroma Diffuser** (x1)
- Micro-USB Charging Cable (x1)
- Aroma Oil Pads (x3)
- User Manual (x1)

### Location of Controls

1. (Removable) Fan Cover
2. **[Fan]** Switch: Turn fan ON/OFF
3. Bluetooth LED Indicator
4. Micro-USB Charging Port
5. Charging LED Indicator
6. **[Power]** Switch: Power ON/OFF, Turn on light
7. (Inside) Sponge Platform

### Location of Controls (cont'd)



## Getting Started

### Setup

Add ~3 - 4 drops of essential oil to one of the supplied aroma pads. Rub the pad against itself to spread the oil and let it permeate the sponge.

Remove the Fan cover from the speaker and carefully place the pad onto the platform. Slide the **[Fan]** switch to the ON position.

The speaker will emit the aroma of the essential oil.

### Charging the Speaker

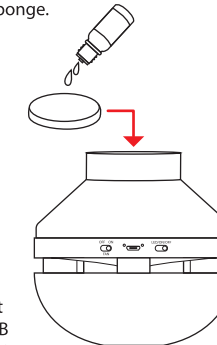
Insert the micro-USB charging cable to the USB charging port on the back of the speaker. Insert the other connector into the USB port on a computer, a USB charging device, or a **5V USB charging adapter** (not included) and plug into a wall socket.

The charging LED indicator will **turn RED** while charging and turn off when fully charged.

On low power, a tone will be periodically heard, indicating that the speaker should be charged.

### Powering ON/OFF

- Slide the **[Power]** switch to the ON position to power on. A tone will be heard and the speaker will enter Bluetooth pairing mode. The speaker will automatically re-pair to any nearby previously paired devices.
- Slide the **[Power]** switch to the OFF position to power off.



### Using the Aroma Diffuser

- Slide the **[Fan]** switch to the ON position to power the fan on and disperse aroma.
- Slide the **[Fan]** switch to the OFF position to power the fan off.

### Playing Music

To enjoy music on your speaker make sure it is properly paired to your Bluetooth-enabled device (see the **Bluetooth Pairing** section below). Once paired, playback and volume adjustment can be controlled with the controls on your media-playing device.

### Bluetooth Pairing

1. Power the speaker ON. A tone will be heard and the Bluetooth LED indicator will **quickly flash BLUE**.
2. Set your mobile device to search for Bluetooth devices. When it appears, select **AR533** from the list of found devices.
3. When the speaker is successfully paired, a tone will be heard and the Bluetooth LED indicator will **slowly flash BLUE**.

